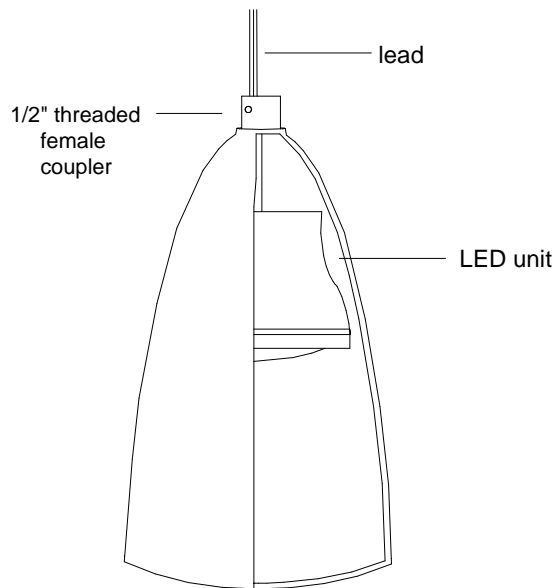
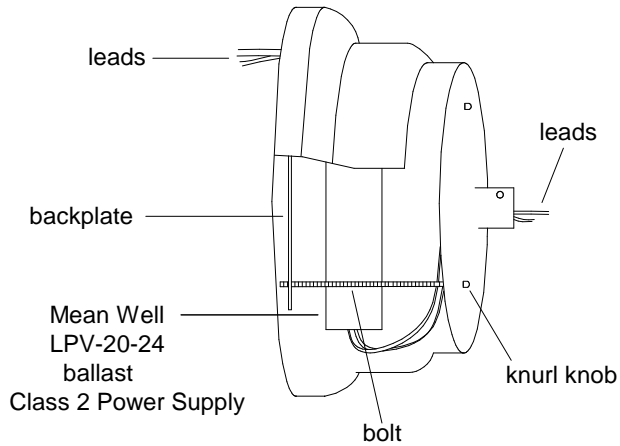
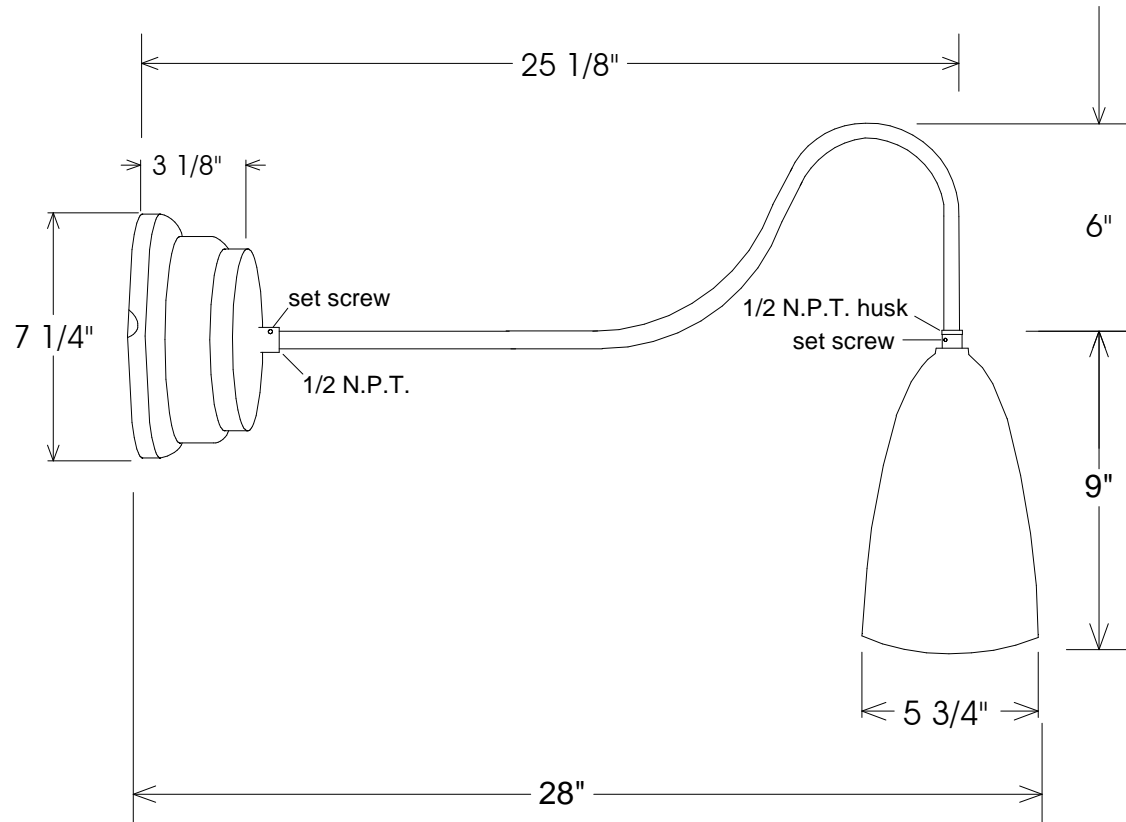


### Small Ballast Pot Canopy



38A Shade



- 50,000 hour life
- Average savings is \$39.42 per year as compared to a 75 Watt incandescent
- Savings of \$ 518.16 for the life of the fixture
- Lumen output is equal to a 75 Watt bulb.

<b>Unless Otherwise Specified:</b> Dimensions in Inches Tolerances: Fractional ± Angular: Mach ± Bend ± Two Place Decimal ± Three Place Decimal ±	Drawn	Name	Date	<b>Primelite Mfg. Corp.</b>  <b>38/857 LED</b> <b>24 Watt 1000 Lumens @ 3000K</b> <b>1250 Lumens @ 4000K</b> <b>24 Volt Output</b>	
	Checked	T.A.R.	05/20/11		
	ENG Appr.		10/24/11		
	MFR Appr.				
	QA				
<b>Construction: All Aluminum</b>  <b>Pipe Size: 1/2"</b>	Comments CAD Generated Drawing Do Not Manually Update		Size <b>A</b>	Drawing No. <b>0001</b>	Rev <b>A</b>
	Scale	CAD File	Sheet	<b>1 of 1</b>	