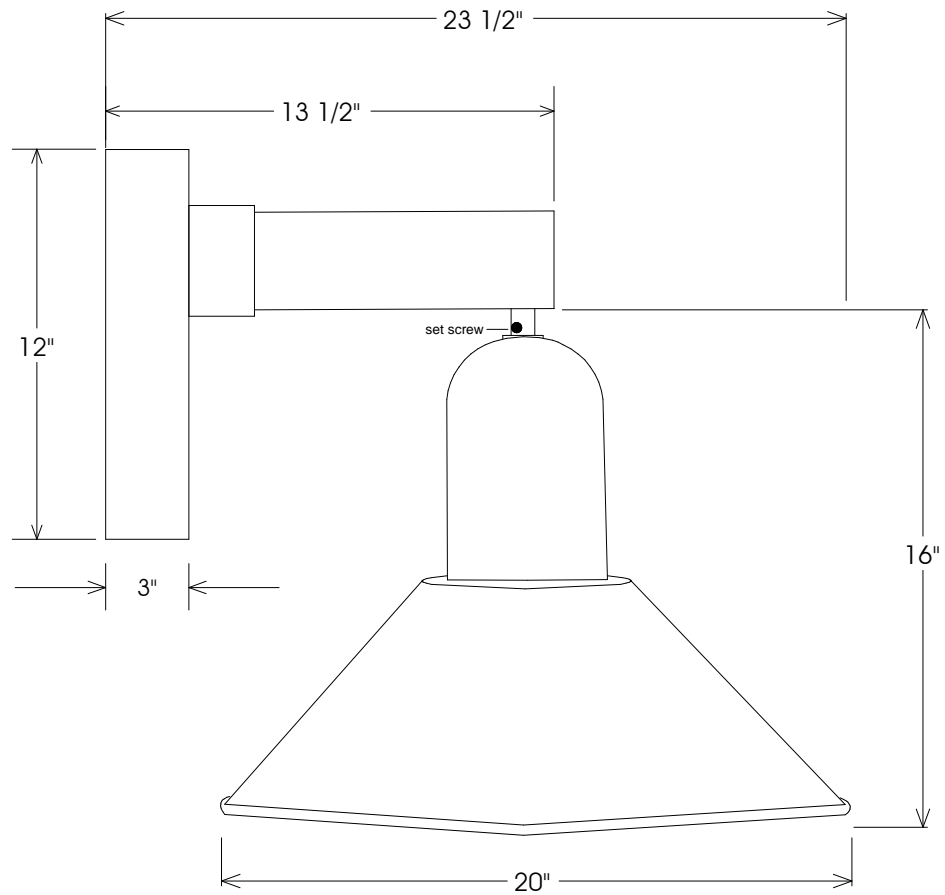


37/20A Shade



- 50,000 hour life
- Average savings is \$39.42 per year as compared to a 75 Watt incandescent
- Savings of \$ 518.16 for the life of the fixture
- Lumen output is equal to a 75 Watt bulb.

Unless Otherwise Specified: Dimensions in Inches Tolerances: Fractional ± Angular: Mach ± Bend ± Two Place Decimal ± Three Place Decimal ±	Drawn	Name	Date	Primelite Mfg. Corp. 37/20-1871 LED post light 24 Watt 1000 Lumens @ 3000K 1250 Lumens @ 4000K 24 Volt Output
	Checked	T.A.R.	10/17/11	
	ENG Appr.		10/24/11	
	MFR Appr.			
	QA			
Construction: All Aluminum	Comments			Size
	CAD Generated Drawing Do Not Manually Update			Drawing No.
				Rev
				A
				Scale
				CAD File
				Sheet
				1 of 1