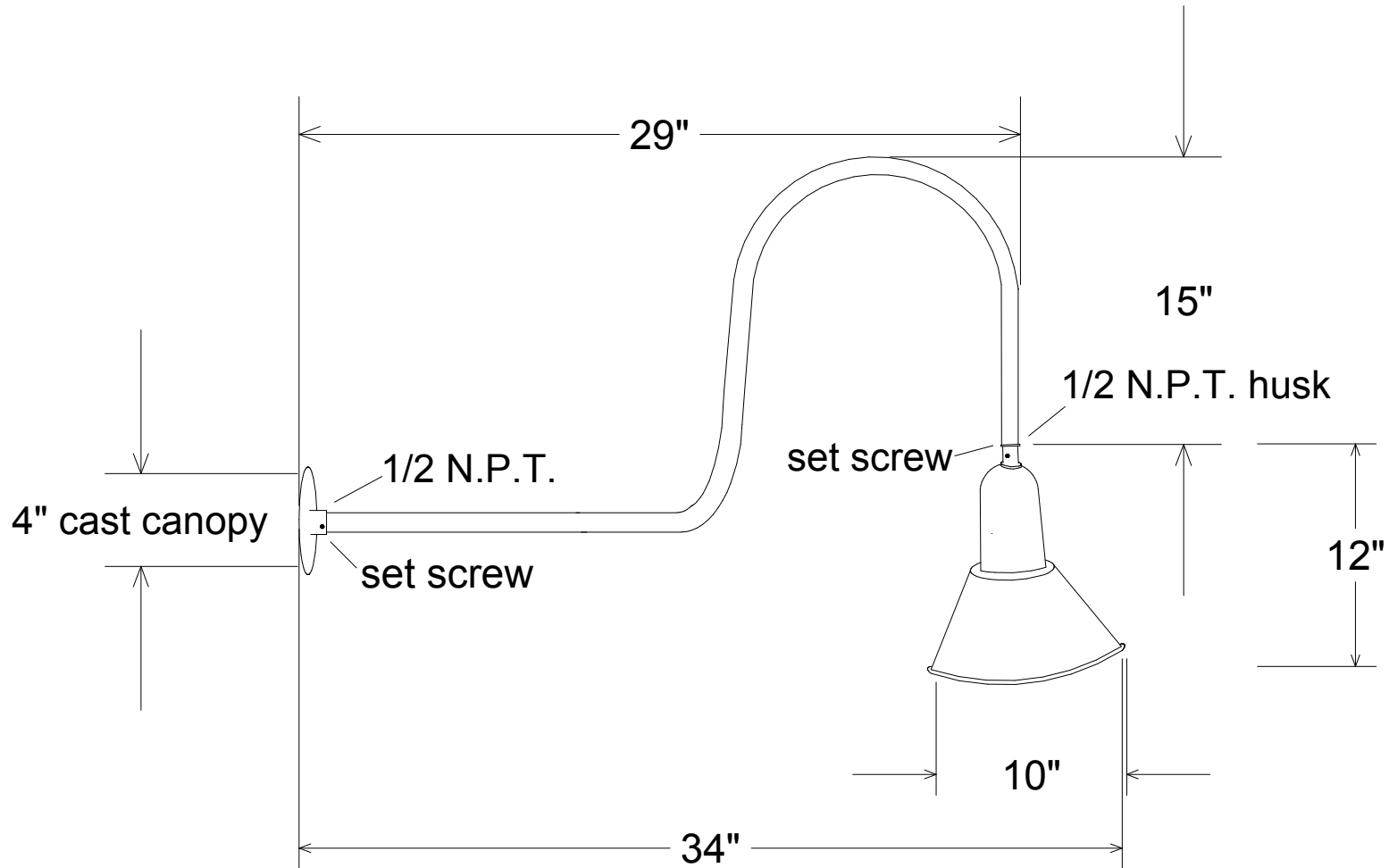


Revisions			Date	Approved
Zone	Rev	Description		



Unless Otherwise Specified: Dimensions in Inches Tolerances: Fractional ± Angular: Mach ± Bend ± Two Place Decimal ± Three Place Decimal ±	Name	Date	Primelite Mfg. Corp. 37-10/851 10" Balast Shade Angle Arm		
	Drawn	T.A.R.			10/12/09
	Checked				
	ENG Appr.				
	MFR Appr.				
	QA				
	Comments		Size	Drawing No.	Rev
Construction: All Aluminum	CAD Generated Drawing Do Not Manually Update		A	0001	A
Pipe Size: 1/2"			Scale	CAD File	Sheet
Lamp: 1-150A			1:9		1 of 1