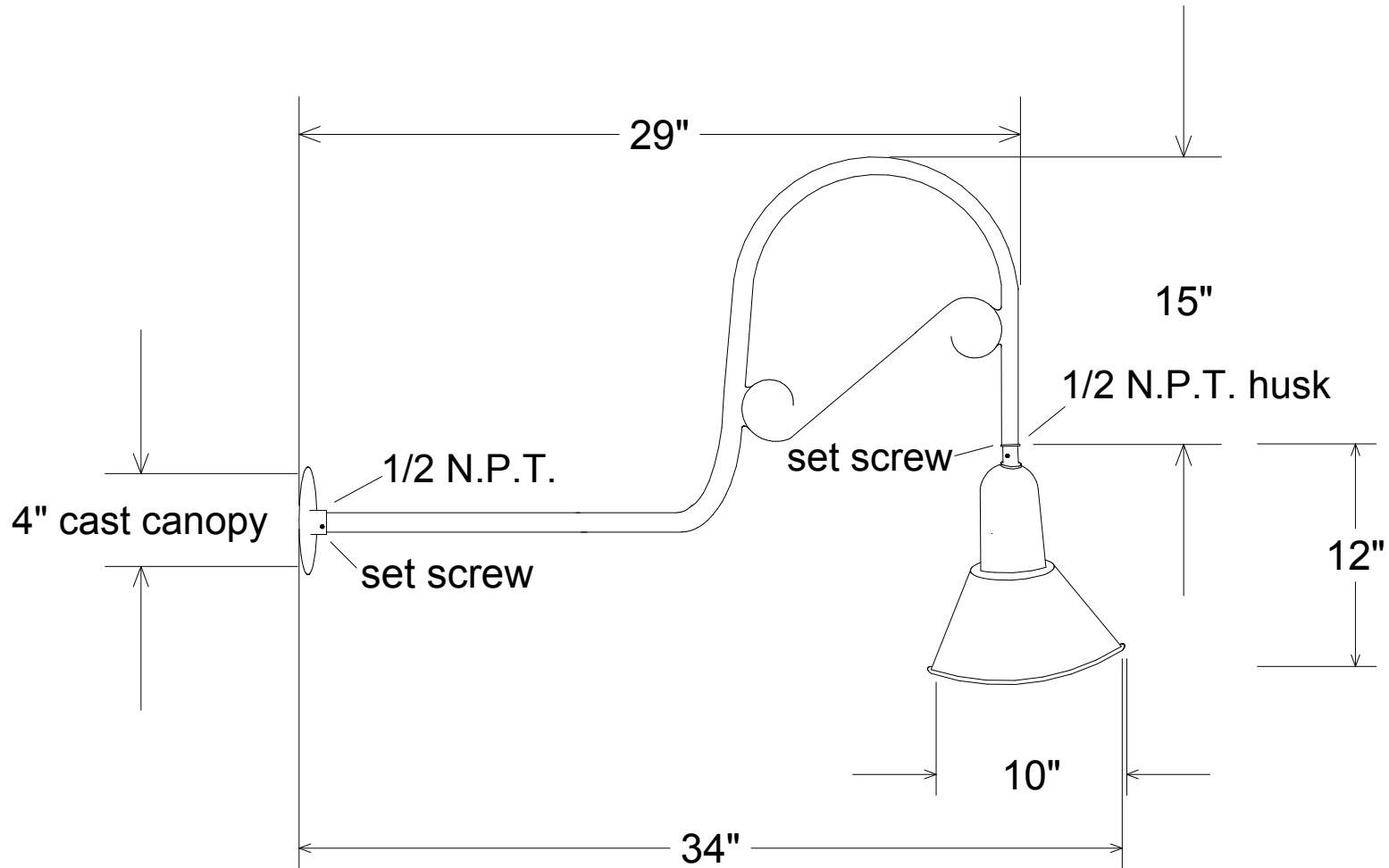


Revisions			Date	Approved
Zone	Rev	Description		



Unless Otherwise Specified: Dimensions in Inches Tolerances: Fractional ± Angular: Mach ± Bend ± Two Place Decimal ± Three Place Decimal ±		Name	Date	Primelite Mfg. Corp. 37-10/851 SCA
	Drawn	T.A.R.	10/15/09	
	Checked			
	ENG Appr.			
	MFR Appr.			
	QA			
	Comments	CAD Generated Drawing Do Not Manually Update		
Construction: All Aluminum		Size	Drawing No.	Rev
Pipe Size: 1/2"		A	0001	A
Lamp: 1-150A		Scale	CAD File	Sheet
		1:9		1 of 1