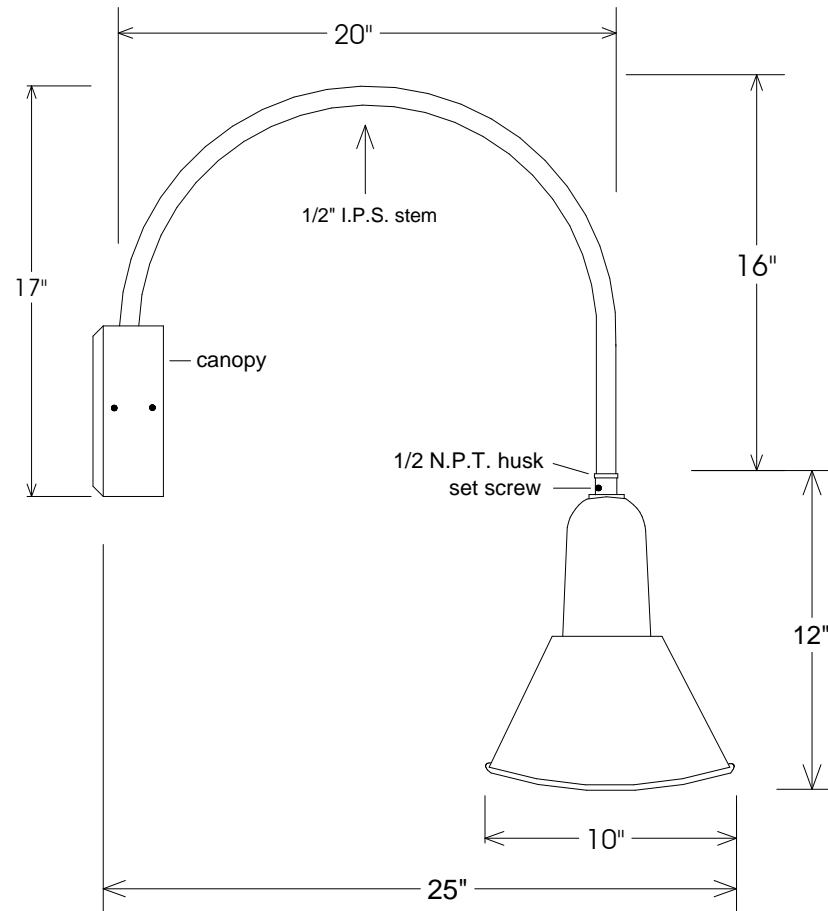


37/10A Shade



- 50,000 hour life
- Average savings is \$39.42 per year as compared to a 75 Watt incandescent
- Savings of \$ 518.16 for the life of the fixture
- Lumen output is equal to a 75 Watt bulb.

<b>Unless Otherwise Specified:</b> Dimensions in Inches Tolerances: Fractional ± Angular: Mach ± Bend ± Two Place Decimal ± Three Place Decimal ±		<b>Name</b>	<b>Date</b>	<b>Primelite Mfg. Corp.</b>		
	<b>Drawn</b>	T.A.R.	05/20/11			
	<b>Checked</b>		04/11/12	<b>37/10-866 LED</b> <b>24 Watt 1000 Lumens @ 3000K</b> <b>1250 Lumens @ 4000K</b> <b>24 Volt Output</b>		
	<b>ENG Appr.</b>					
	<b>MFR Appr.</b>					
<b>QA</b>				<b>Size</b>	<b>Drawing No.</b>	<b>Rev</b>
<b>Construction: All Aluminum</b>	<b>Comments</b> CAD Generated Drawing Do Not Manually Update			<b>A</b>	<b>0001</b>	<b>A</b>
<b>Pipe Size: 1/2"</b>				<b>Scale</b>	<b>CAD File</b>	<b>Sheet</b>