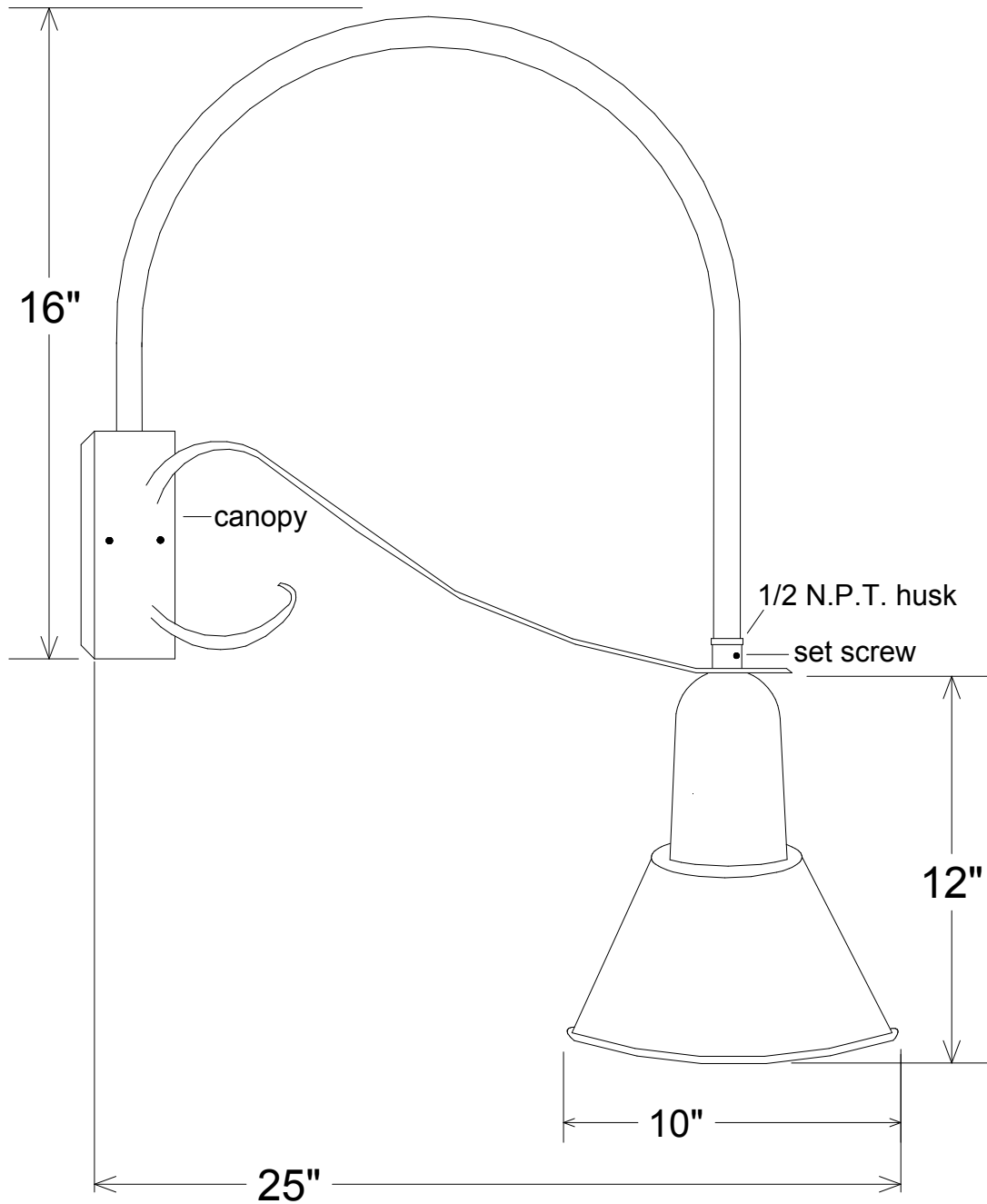


Revisions				
Zone	Rev	Description	Date	Approved



Unless Otherwise Specified: Dimensions in Inches Tolerances: Fractional ± Angular: Mach ± Bend ± Two Place Decimal ± Three Place Decimal ±	Drawn	Name	Date	Primelite Mfg. Corp. 37-10/866 SCA		
	T.A.R.	T.A.R.	12/02/09			
	Checked					
	ENG Appr.					
	MFR Appr.					
	QA					
Construction: All Aluminum	Comments			Size	Drawing No.	Rev
Pipe Size: 1/2"	CAD Generated Drawing Do Not Manually Update			A	0001	A
Lamp: 1-150A				Scale	1:5	Sheet
				CAD File		1 of 1