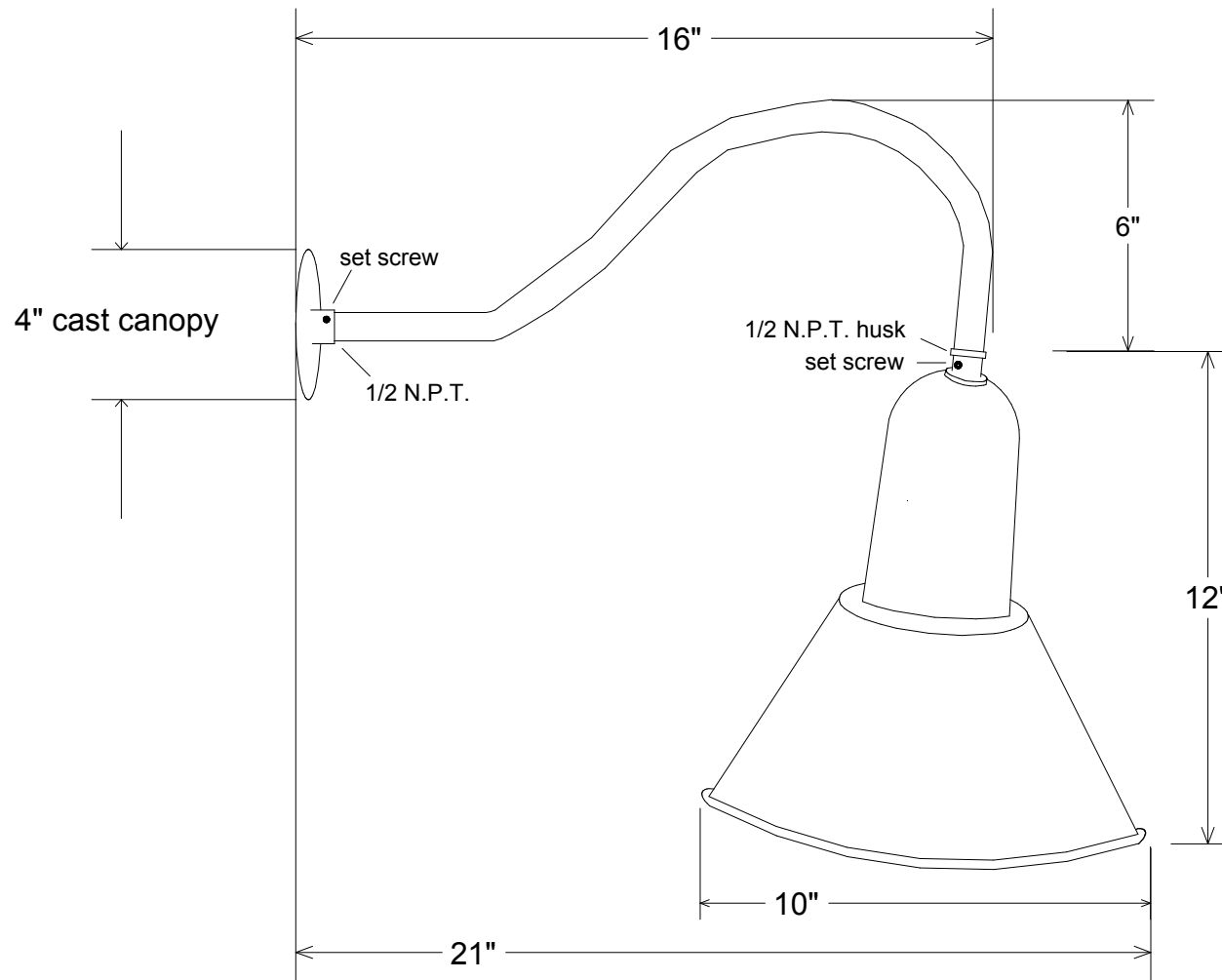


Revisions			Date	Approved
Zone	Rev	Description		



<b>Unless Otherwise Specified:</b> Dimensions in Inches Tolerances: Fractional ± Angular: Mach ± Bend ± Two Place Decimal ± Three Place Decimal ±	Name T.A.R.	Date 11/16/09	<b>Primelite Mfg. Corp.</b>  <b>37-10/859</b>		
	Drawn	Checked			ENG Appr.
	MFR Appr.	QA			Comments
	CAD Generated Drawing Do Not Manually Update				
	Construction: All Aluminum	Size <b>A</b>			Drawing No. <b>0001</b>
Pipe Size: 1/2"	Scale <b>1:5</b>	CAD File	Sheet <b>1 of 1</b>		
Lamp: 1-150A					