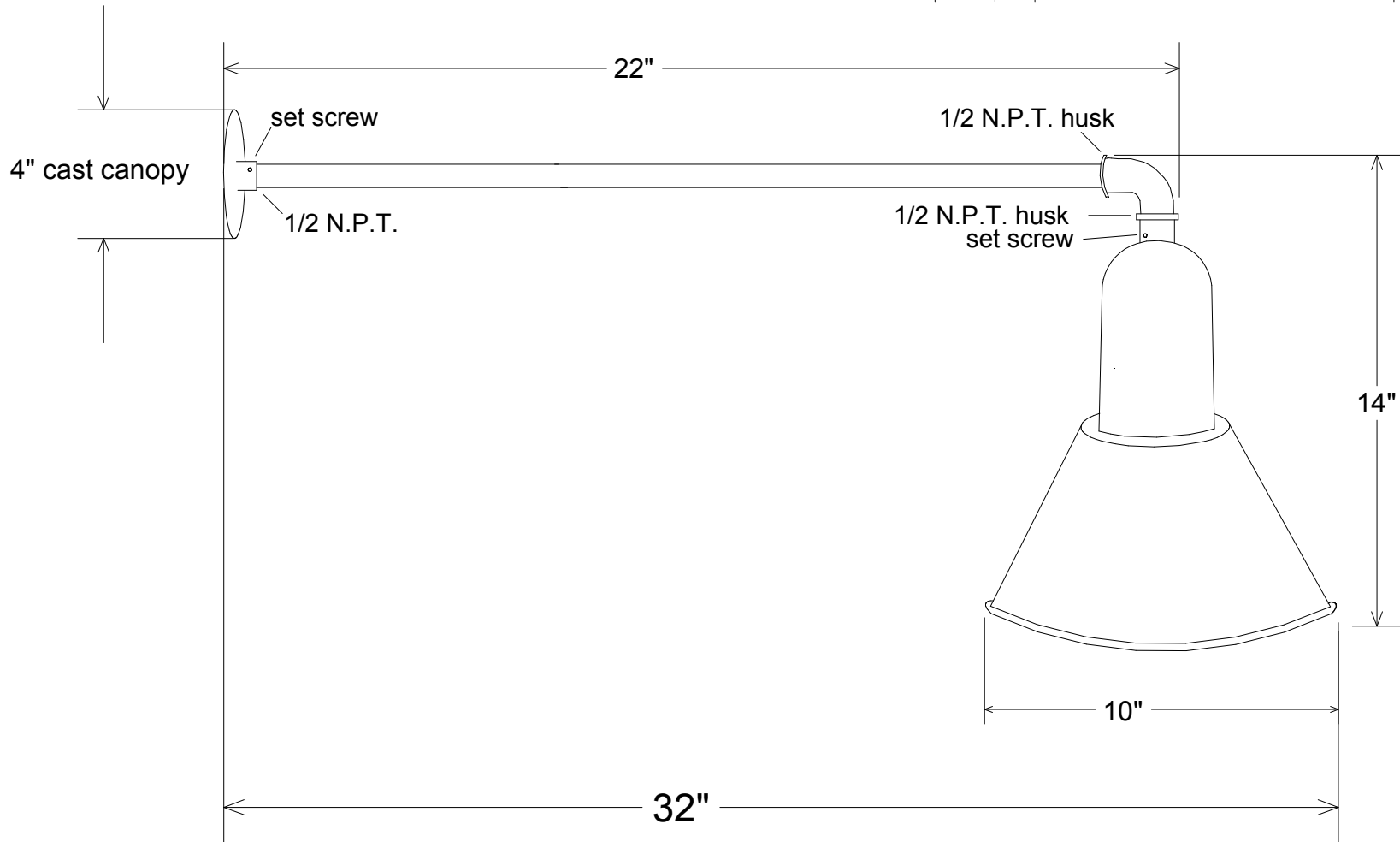


Revisions			Date	Approved
Zone	Rev	Description		



Unless Otherwise Specified: Dimensions in Inches Tolerances: Fractional ± Angular: Mach ± Bend ± Two Place Decimal ± Three Place Decimal ±	Name	Date	Primelite Mfg. Corp. 37-10/855 10" Balast Shade Angle Straight Down		
	Drawn	T.A.R.			10/30/09
	Checked				
	ENG Appr.				
	MFR Appr.				
Construction: All Aluminum	Comments		Size	Drawing No.	Rev
Pipe Size: 1/2"	CAD Generated Drawing Do Not Manually Update		A	0001	A
Lamp: 1-150A			Scale 1:4	CAD File	Sheet 1 of 1