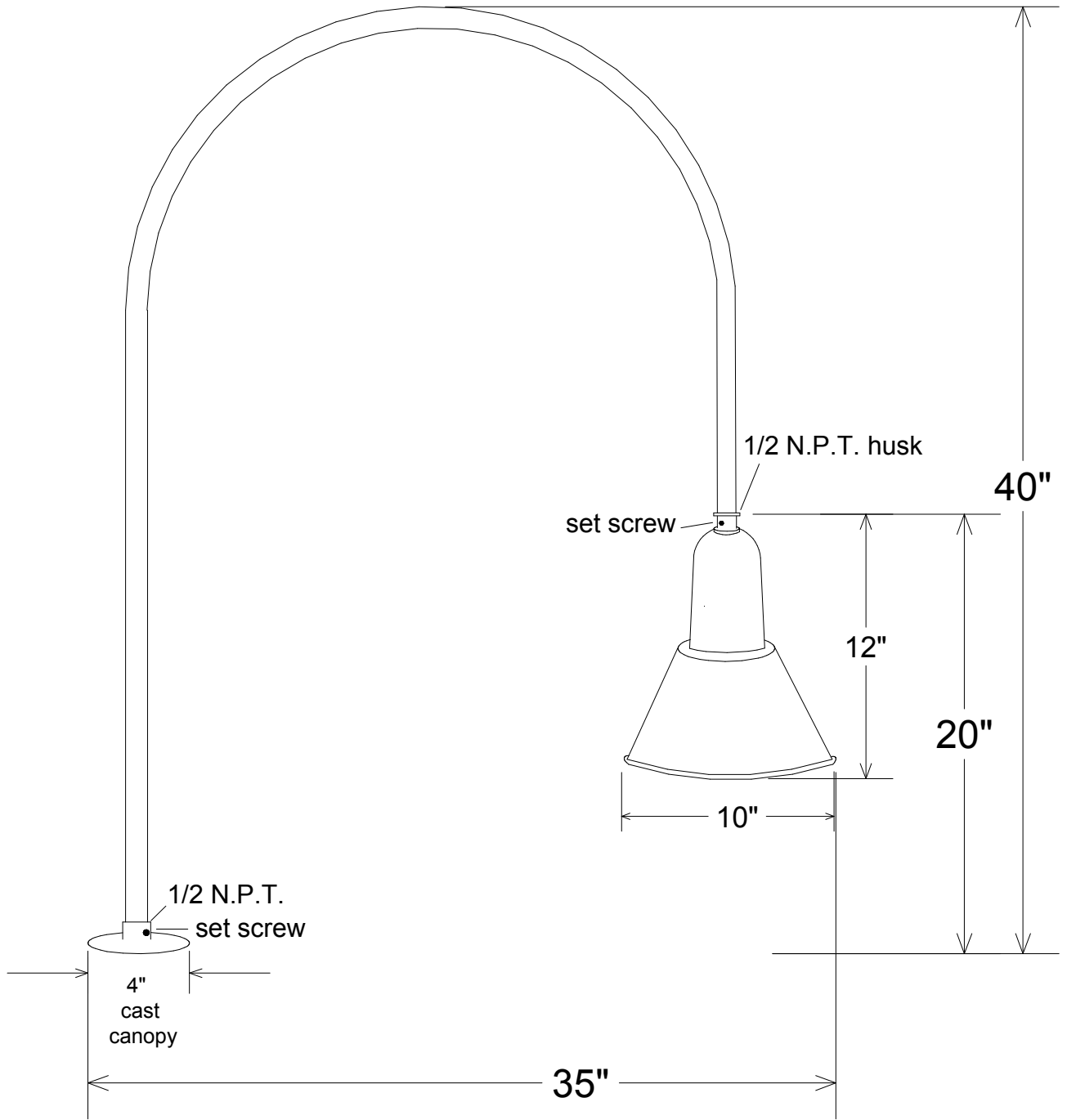


Revisions				
Zone	Rev	Description	Date	Approved



**Unless Otherwise Specified:**

Dimensions in Inches  
 Tolerances: Fractional ±  
 Angular: Mach ± Bend ±  
 Two Place Decimal ±  
 Three Place Decimal ±

**Construction: All Aluminum**

**Pipe Size: 1/2"**

**Lamp: 1-150A**

	Name	Date
<b>Drawn</b>	T.A.R.	10/26/09
<b>Checked</b>		
<b>ENG Appr.</b>		
<b>MFR Appr.</b>		
<b>QA</b>		
<b>Comments</b>	CAD Generated Drawing Do Not Manually Update	

**Primelite Mfg. Corp.**

**37-10/854**

**10" Balast Shade Palpit Mount Large**

Size	Drawing No.	Rev
<b>A</b>	<b>0001</b>	<b>A</b>
Scale	<b>1:6</b>	CAD File
Sheet	<b>1 of 1</b>	