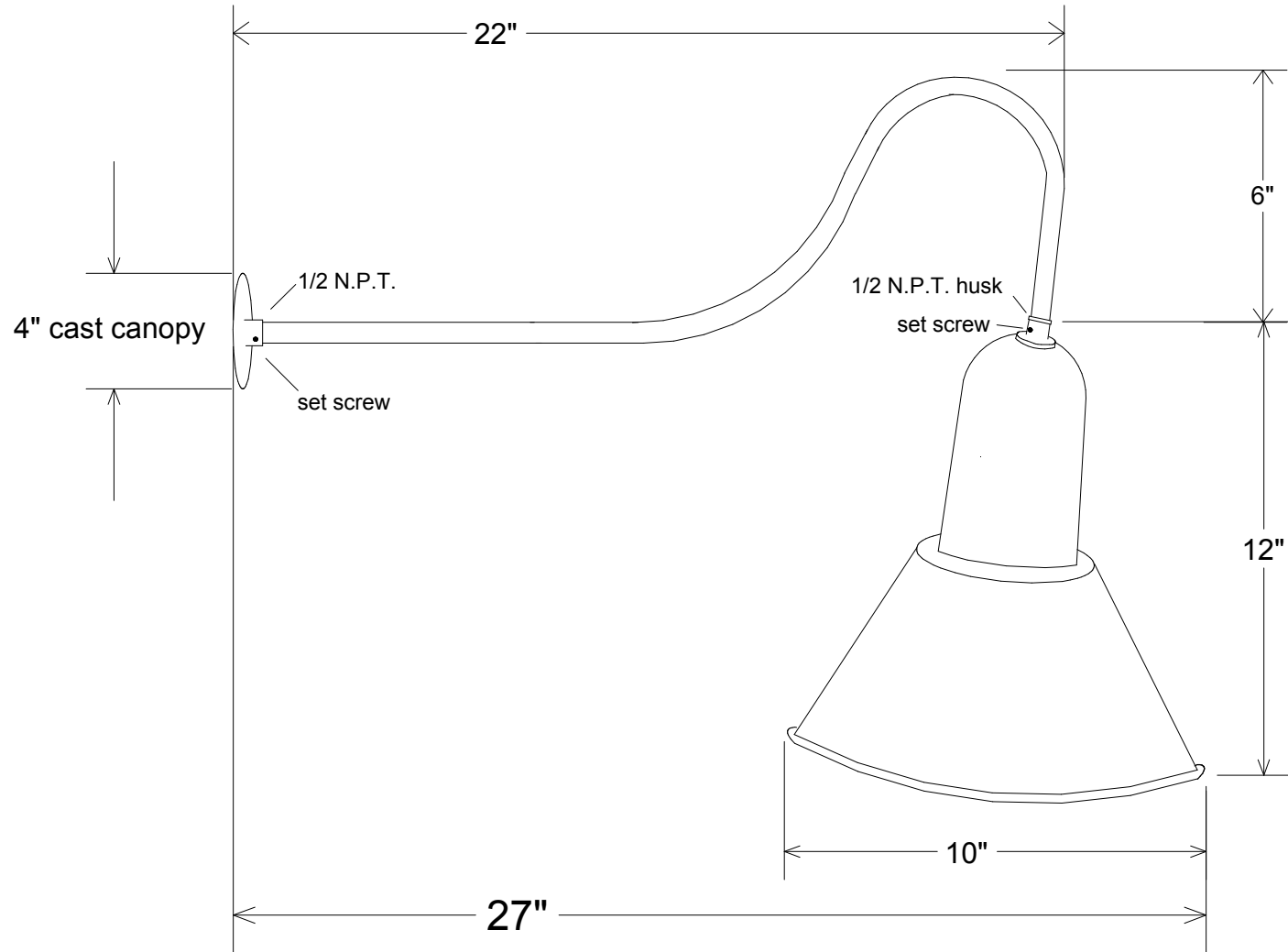


Revisions			Date	Approved
Zone	Rev	Description		



Unless Otherwise Specified: Dimensions in Inches Tolerances: Fractional ± Angular: Mach ± Bend ± Two Place Decimal ± Three Place Decimal ±	Drawn T.A.R.	Date 10/08/09	Primelite Mfg. Corp. 37-10/850 10" Balast Shade Angle Arm	
	Checked ENG Appr.			
	MFR Appr. MFR Appr.			
	QA QA			
	Comments CAD Generated Drawing Do Not Manually Update			
Construction: All Aluminum	Size A	Drawing No. 0001	Rev A	
Pipe Size: 1/2"	Scale 1:8	CAD File	Sheet 1 of 1	
Lamp: 1-150A				