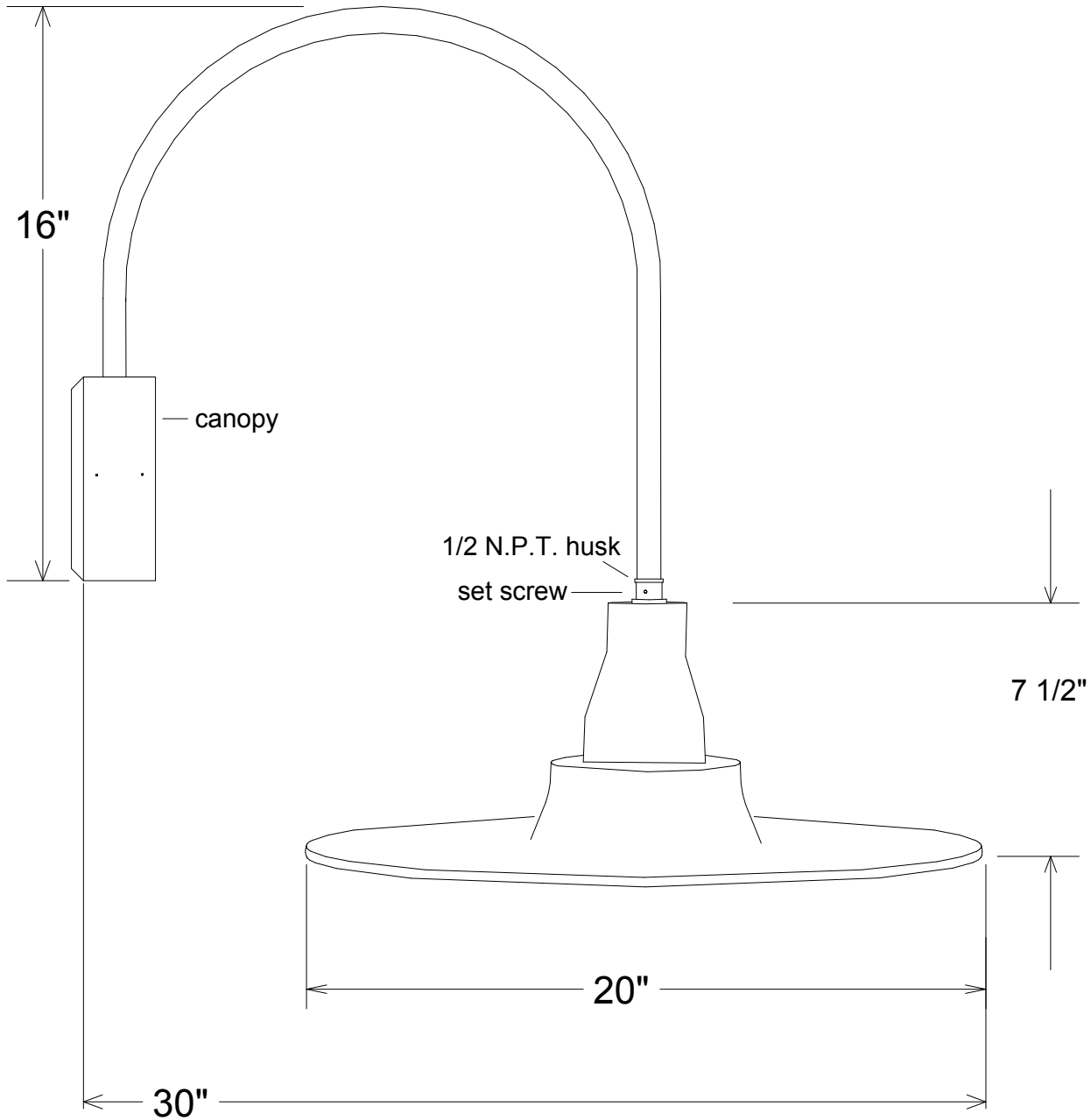


Revisions				
Zone	Rev	Description	Date	Approved



Unless Otherwise Specified: Dimensions in Inches Tolerances: Fractional ± Angular: Mach ± Bend ± Two Place Decimal ± Three Place Decimal ±	Name T.A.R.	Date 12/02/09	Primelite Mfg. Corp. 34-20/866			
	Drawn	Checked			ENG Appr.	
	MFR Appr.	QA			Comments CAD Generated Drawing Do Not Manually Update	
	Construction: All Aluminum	Size A			Drawing No. 0001	Rev A
	Pipe Size: 1/2"	Scale 1:4			CAD File	Sheet 1 of 1
Lamp: 1-200A						