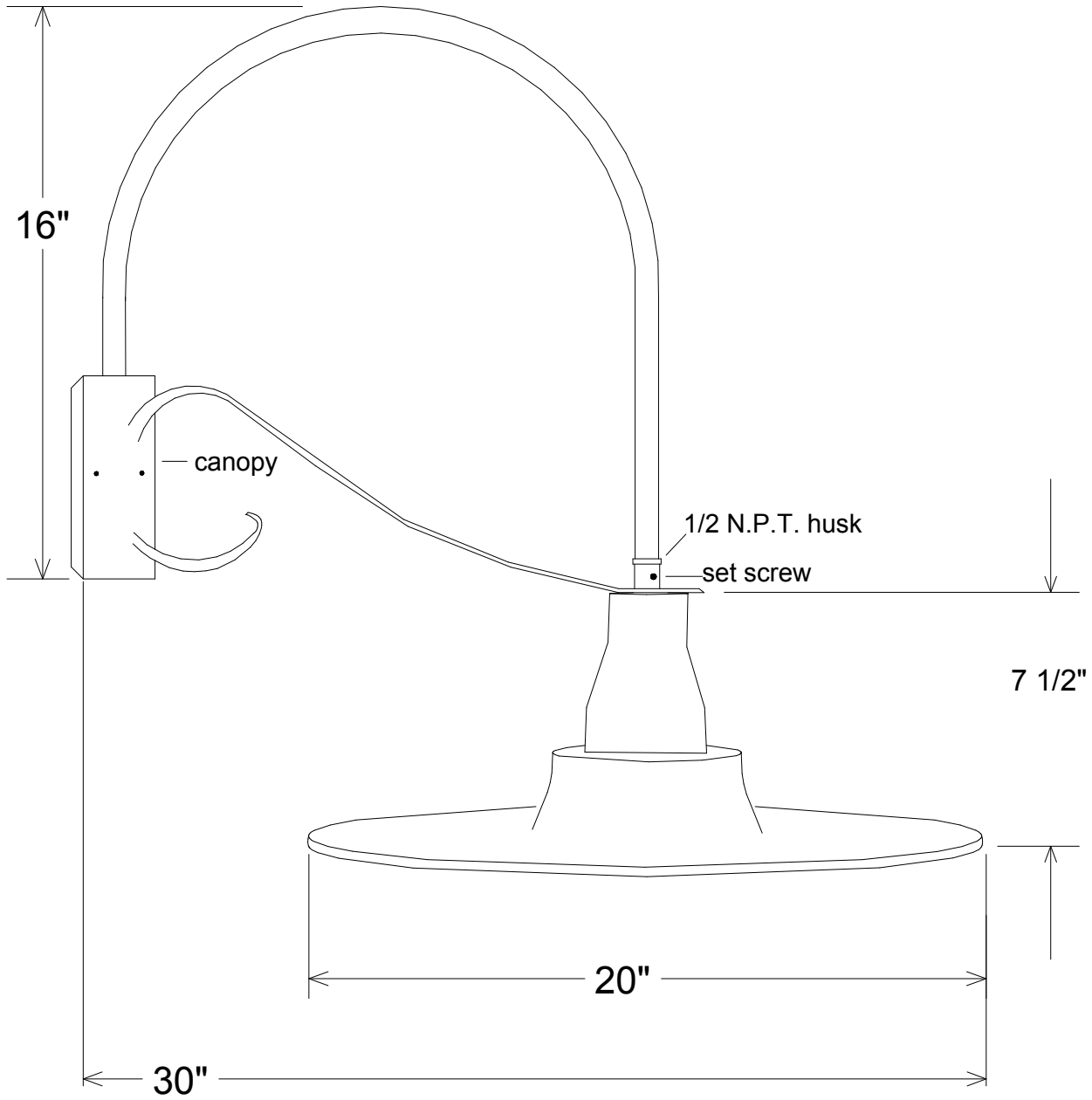


Revisions				
Zone	Rev	Description	Date	Approved



Unless Otherwise Specified: Dimensions in Inches Tolerances: Fractional ± Angular: Mach ± Bend ± Two Place Decimal ± Three Place Decimal ±		Name	Date	Primelite Mfg. Corp. 34-20/866 SCA		
	Drawn	T.A.R.	12/02/09			
	Checked					
	ENG Appr.					
	MFR Appr.					
	QA			Size	Drawing No.	Rev
Construction: All Aluminum	Comments			A	0001	A
Pipe Size: 1/2"	CAD Generated Drawing Do Not Manually Update			Scale	CAD File	Sheet
Lamp: 1-200A				1:5		1 of 1