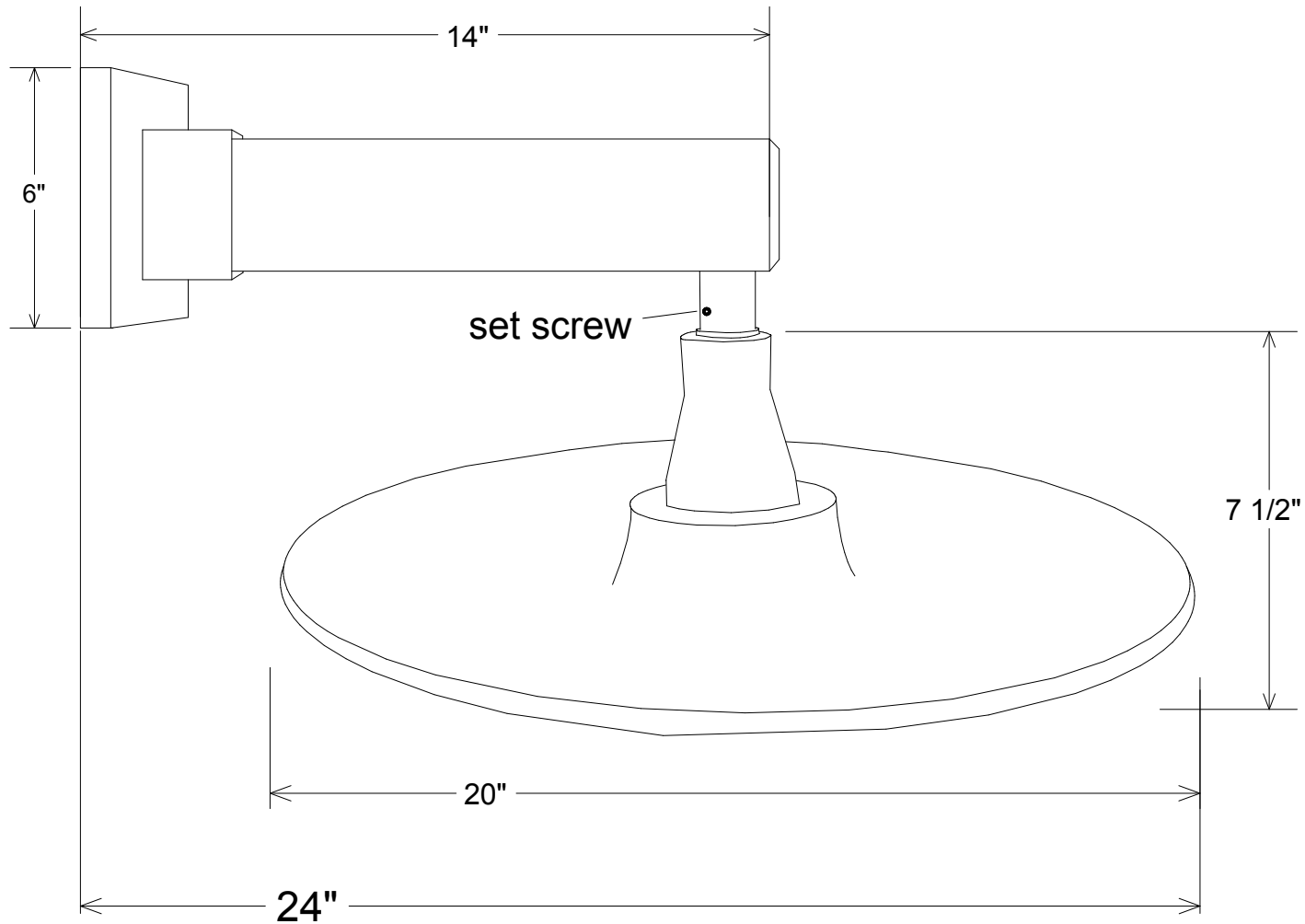


Revisions			Date	Approved
Zone	Rev	Description		



Unless Otherwise Specified: Dimensions in Inches Tolerances: Fractional ± Angular: Mach ± Bend ± Two Place Decimal ± Three Place Decimal ±	<table border="1"> <thead> <tr> <th>Name</th> <th>Date</th> </tr> </thead> <tbody> <tr> <td>Drawn T.A.R.</td> <td>11/19/09</td> </tr> <tr> <td>Checked</td> <td></td> </tr> <tr> <td>ENG Appr.</td> <td></td> </tr> <tr> <td>MFR Appr.</td> <td></td> </tr> <tr> <td>QA</td> <td></td> </tr> <tr> <td>Comments</td> <td colspan="2">CAD Generated Drawing Do Not Manually Update</td> </tr> </tbody> </table>	Name	Date	Drawn T.A.R.	11/19/09	Checked		ENG Appr.		MFR Appr.		QA		Comments	CAD Generated Drawing Do Not Manually Update		Primelite Mfg. Corp.	
	Name	Date																
	Drawn T.A.R.	11/19/09																
	Checked																	
	ENG Appr.																	
MFR Appr.																		
QA																		
Comments	CAD Generated Drawing Do Not Manually Update																	
Construction: All Aluminum	34-20/861																	
Pipe Size: 1/2"	Size A	Drawing No. 0001	Rev A															
Lamp: 1-100A	Scale 1:4	CAD File	Sheet 1 of 1															