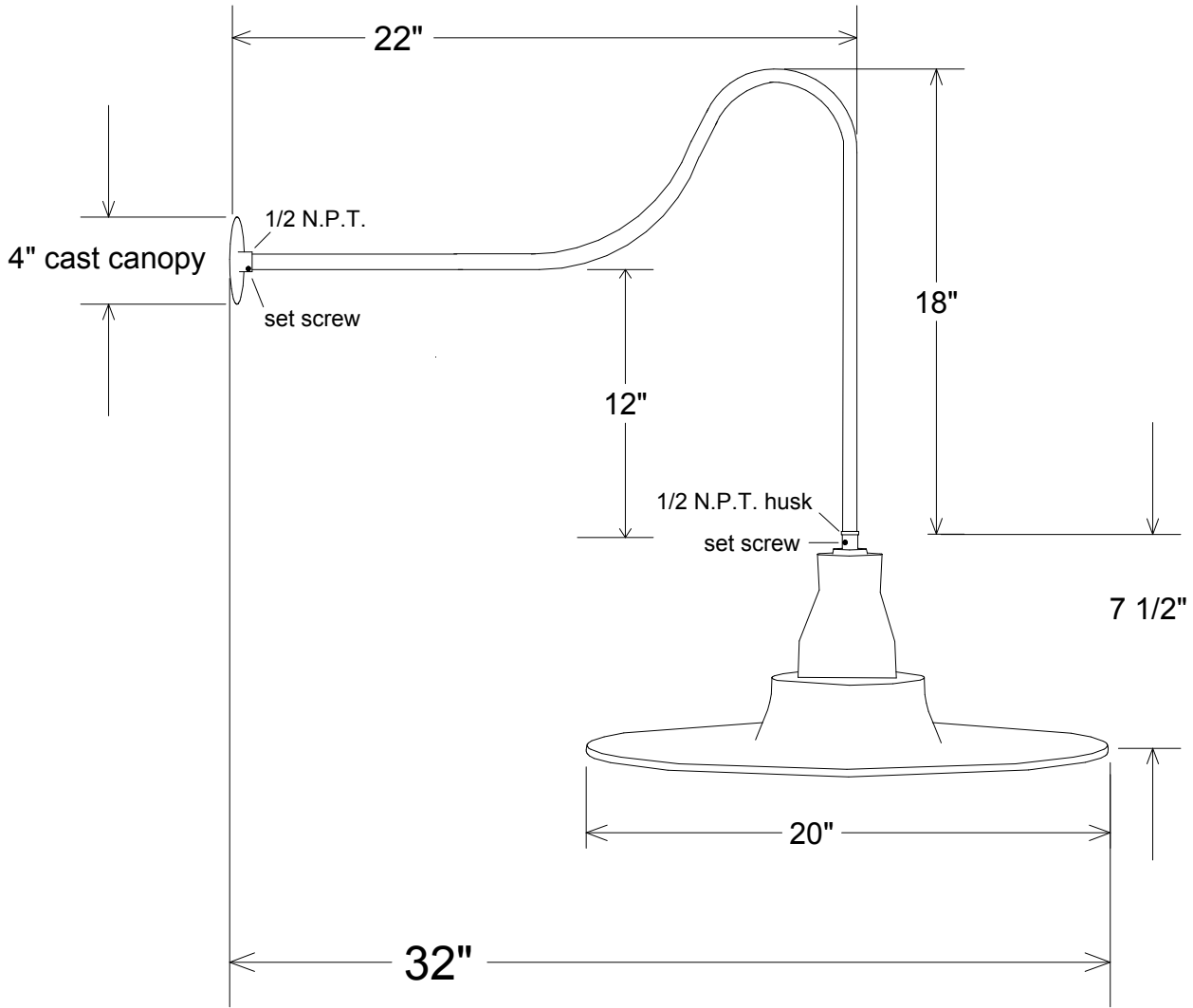


Revisions				
Zone	Rev	Description	Date	Approved



Unless Otherwise Specified: Dimensions in Inches Tolerances: Fractional ± Angular: Mach ± Bend ± Two Place Decimal ± Three Place Decimal ±	Name		Date		Primelite Mfg. Corp. 34-20/860		
	Drawn	T.A.R.	10/19/09				
	Checked						
	ENG Appr.						
	MFR Appr.						
	QA				Size	Drawing No.	Rev
Construction: All Aluminum	Comments				A	0001	A
Pipe Size: 1/2"	CAD Generated Drawing Do Not Manually Update				Scale	CAD File	Sheet
Lamp: 1-200A					1:6		1 of 1