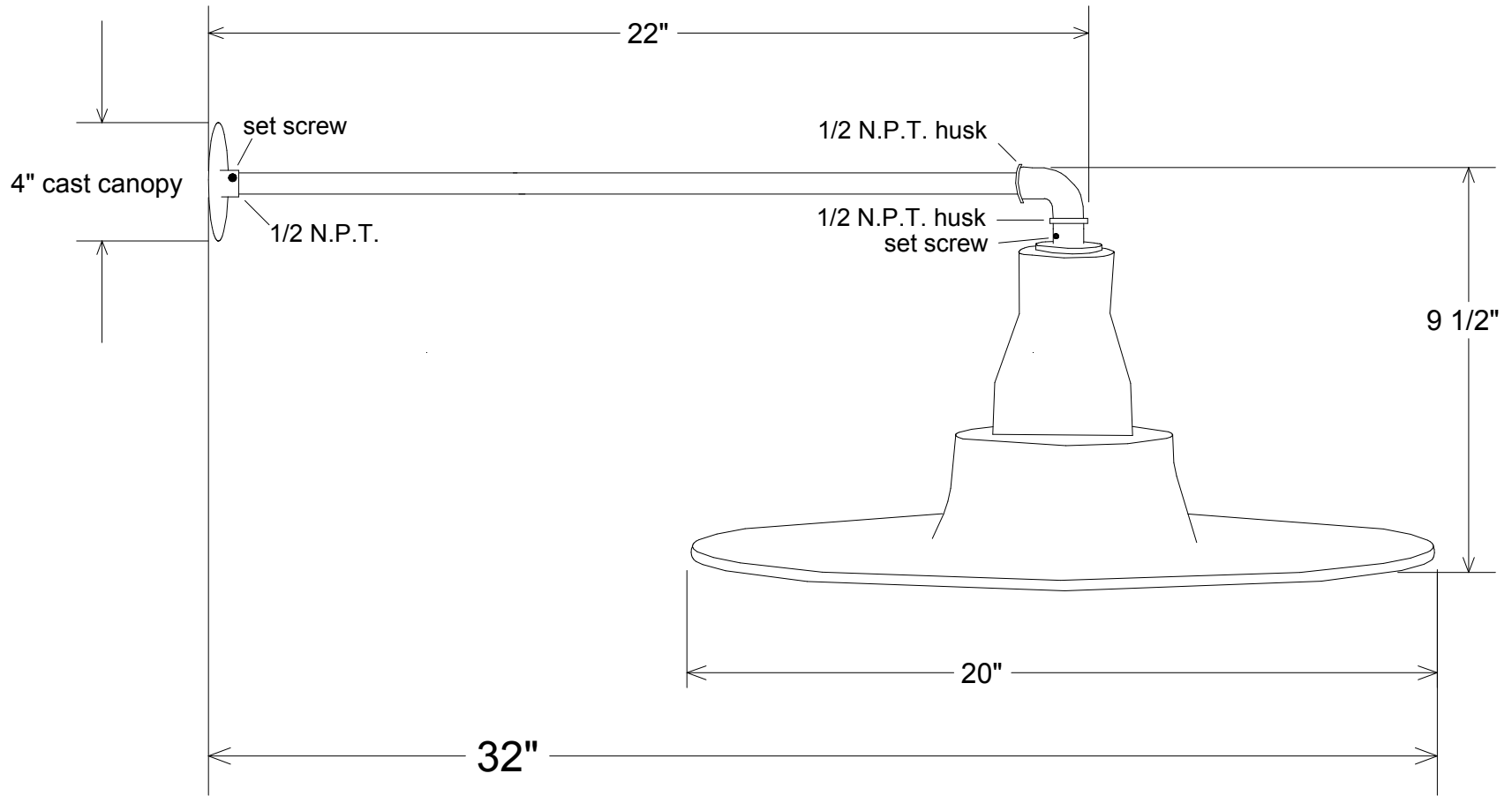


Revisions			Date	Approved
Zone	Rev	Description		



Unless Otherwise Specified: Dimensions in Inches Tolerances: Fractional ± Angular: Mach ± Bend ± Two Place Decimal ± Three Place Decimal ±		Name	Date	Primelite Mfg. Corp.		
	Drawn	T.A.R.	10/30/09			34-20/855
	Checked					
	ENG Appr.					
	MFR Appr.					
	QA			Size	Drawing No.	Rev
Construction: All Aluminum	Comments CAD Generated Drawing Do Not Manually Update			A	0001	A
Pipe Size: 1/2"				Scale	CAD File	Sheet
Lamp: 1-200A				1:4		1 of 1