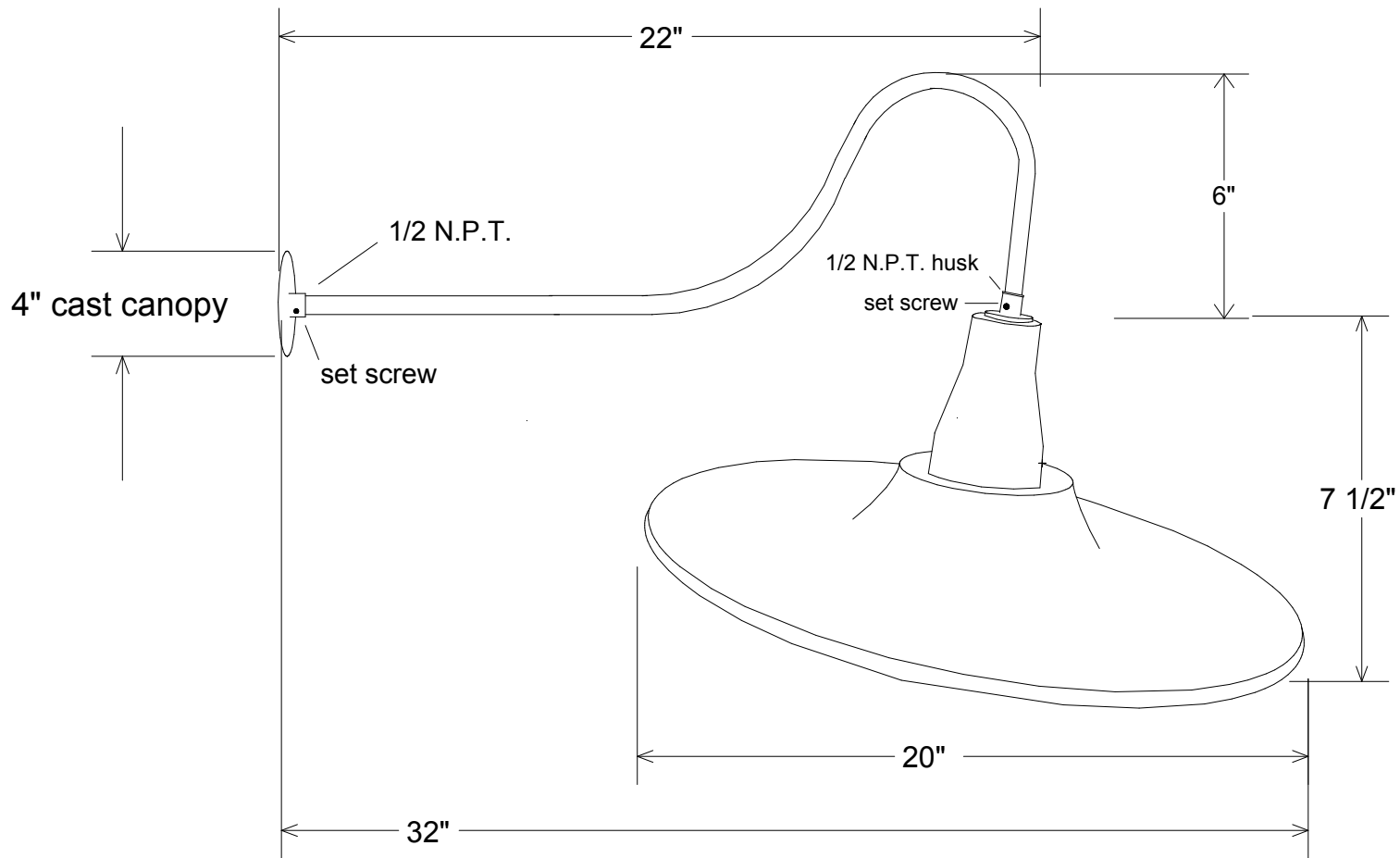


Revisions			Date	Approved
Zone	Rev	Description		



Unless Otherwise Specified: Dimensions in Inches Tolerances: Fractional ± Angular: Mach ± Bend ± Two Place Decimal ± Three Place Decimal ±	Name T.A.R.	Date 10/7/09	Primelite Mfg. Corp.		
	Drawn	Checked			34-16/850
	ENG Appr.	MFR Appr.			
	QA	Comments CAD Generated Drawing Do Not Manually Update	Size A	Drawing No. 0001	
	Construction: All Aluminum	Scale 1:7		CAD File	Sheet 1 of 1
Pipe Size: 1/2"	Lamp: 1-200A				