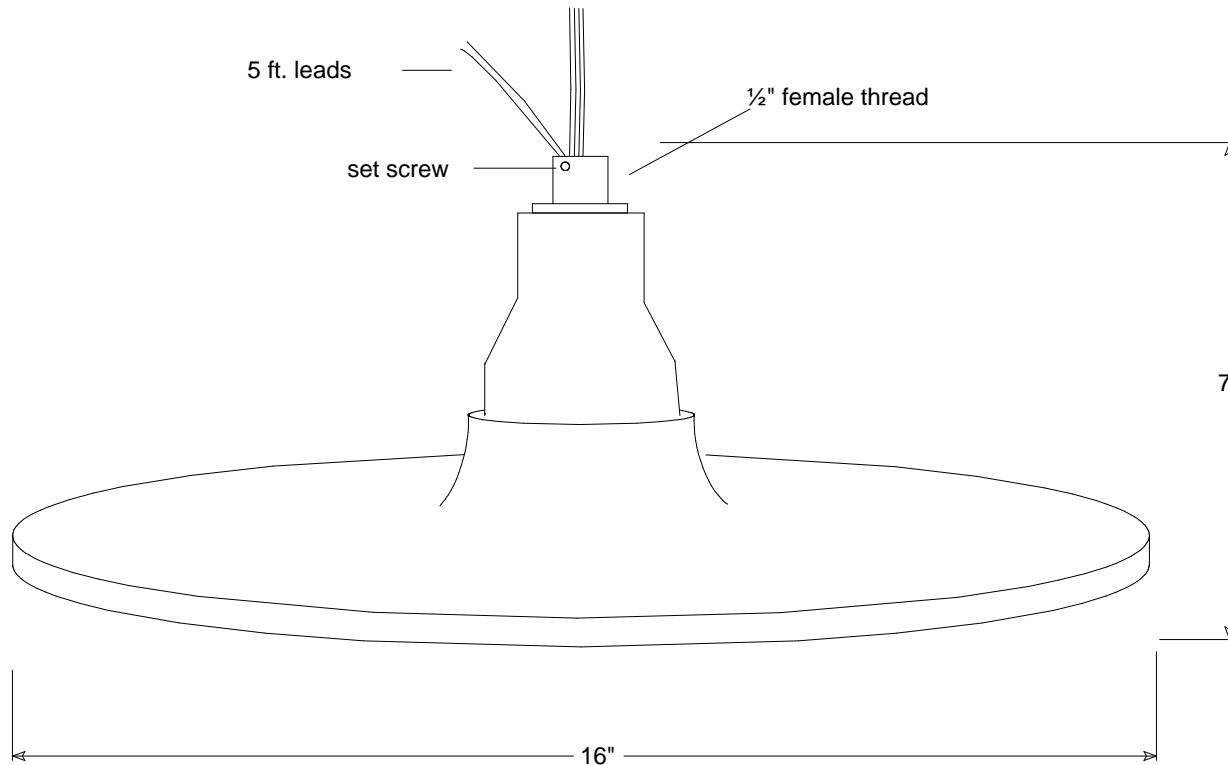







Primelite Manufacturing Corp

407 S Main St, Freeport, NY 11520
 Phone: 516-868-4411 | Fax: 516-868-4609
 sales@primelite-mfg.com | www.primelite-mfg.com

PART # #34/16A	LAMP Incandescent LED	VOLTAGE 120 V	COLOR Powder Coated Paint
JOB NAME			TYPE Gooseneck Shade



Lamp: Incandescent LED	Name	Date	Gooseneck Shade #34/16A		
  	Drawn	lv 02/15/18			
1/100A LED12 LED22	Checked		Size	Drawing No.	Rev
Construction: Aluminum	ENG Appr.		A	0001	A
Unless Otherwise Specified: Dimensions in Inches	MFR Appr.		Scale	CAD File	Sheet
	QA				1 of 1
	Comments				

Revisions				
Zone	Rev	Description	Date	Approved

