

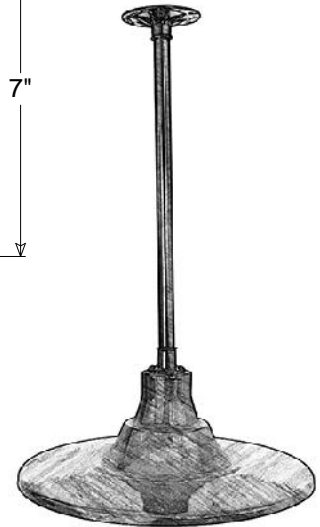
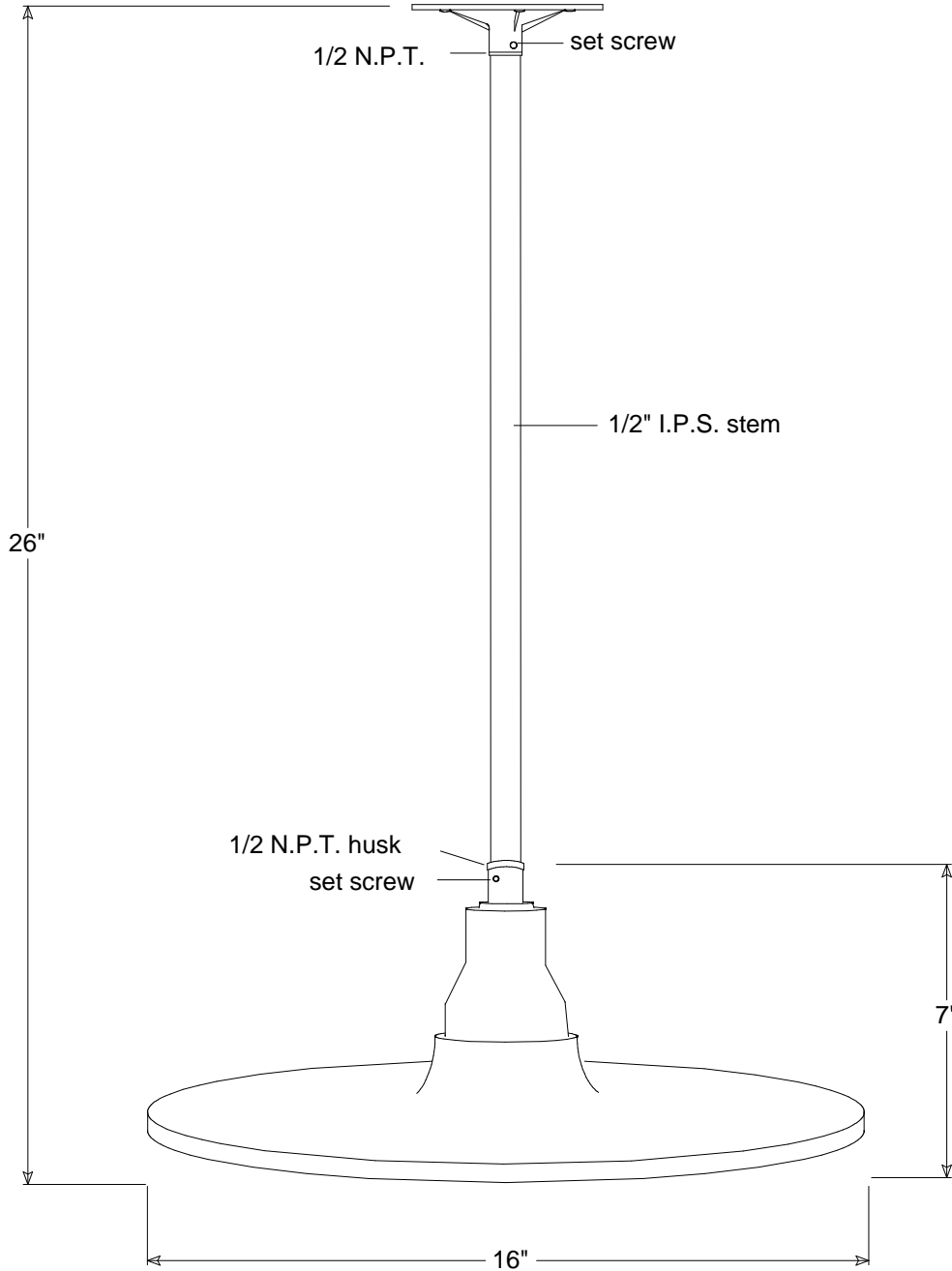


Primelite Manufacturing Corp

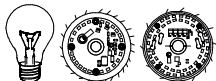
407 S Main St, Freeport, NY 11520

Phone: 516-868-4411 | Fax: 516-868-4609
 sales@primelite-mfg.com | www.primelite-mfg.com

PART # #34/16-18	LAMP Incandescent LED	VOLTAGE 120 V	COLOR Powder Coated Paint
JOB NAME			TYPE Pendant



Lamp: Incandescent | LED



1/100A | LED12 | LED22

Construction: Aluminum

Unless Otherwise Specified:
 Dimensions in Inches

	Name	Date	Pendant #34/16-18		
Drawn	lv	05/15/18			
Checked			16" Dia Shade 18" Stem		
ENG Appr.					
MFR Appr.			Size	Drawing No.	Rev
QA			A	0001	A
Comments			Scale	CAD File	Sheet
					1 of 1

Revisions				
Zone	Rev	Description	Date	Approved