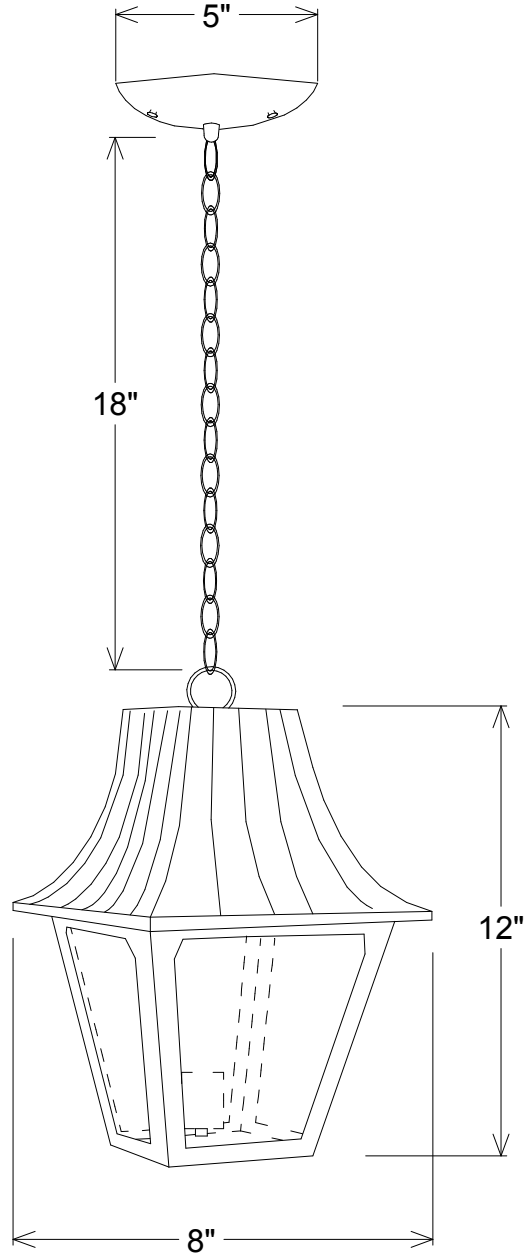


Revisions				
Zone	Rev	Description	Date	Approved



<b>Unless Otherwise Specified:</b> Dimensions in Inches Tolerances: Fractional ± Angular: Mach ± Bend ± Two Place Decimal ± Three Place Decimal ±	Name		Date		<b>Primelite Mfg. Corp.</b>		
	Drawn	T.A.R.	09/03/10				
	Checked				<b>333</b> 12"X8" Cast Aluminum Hanging Lantern		
	ENG Appr.						
	MFR Appr.						
QA				Size	Drawing No.	Rev	
Construction: All Aluminum	Comments			<b>A</b>	<b>0001</b>	<b>A</b>	
	CAD Generated Drawing Do Not Manually Update			Scale	CAD File	Sheet	
Lamp: 1-150A				<b>1:6</b>		<b>1 of 1</b>	