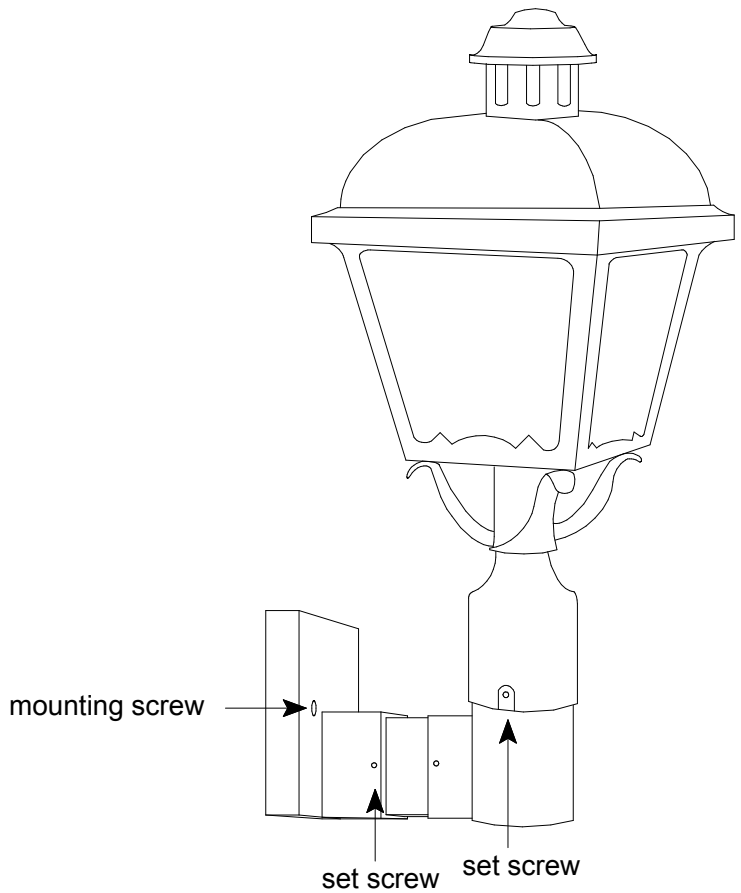


Side View



Unless Otherwise Specified:

Dimensions in Inches
 Tolerances: Fractional ±
 Angular: Mach ± Bend ±
 Two Place Decimal ±
 Three Place Decimal ±

All Aluminum Construction

Lamp: 1-150A

| | Name | Date |
|-----------|--------|----------|
| Drawn | T.A.R. | 05/26/10 |
| Checked | | |
| ENG Appr. | | |
| MFR Appr. | | |
| QA | | |

Comments
 CAD Generated Drawing
 Do Not Manually Update

| | | |
|---------------------------------------|-------------|---------------------|
| Primelight Mfg. Corp. | | |
| 3291 | | |
| Cast Aluminum Lantern Wall Bracket | | |
| Size | Drawing No. | Rev |
| A | 0001 | A |
| Scale 1:5 | CAD File | Sheet 1 of 1 |