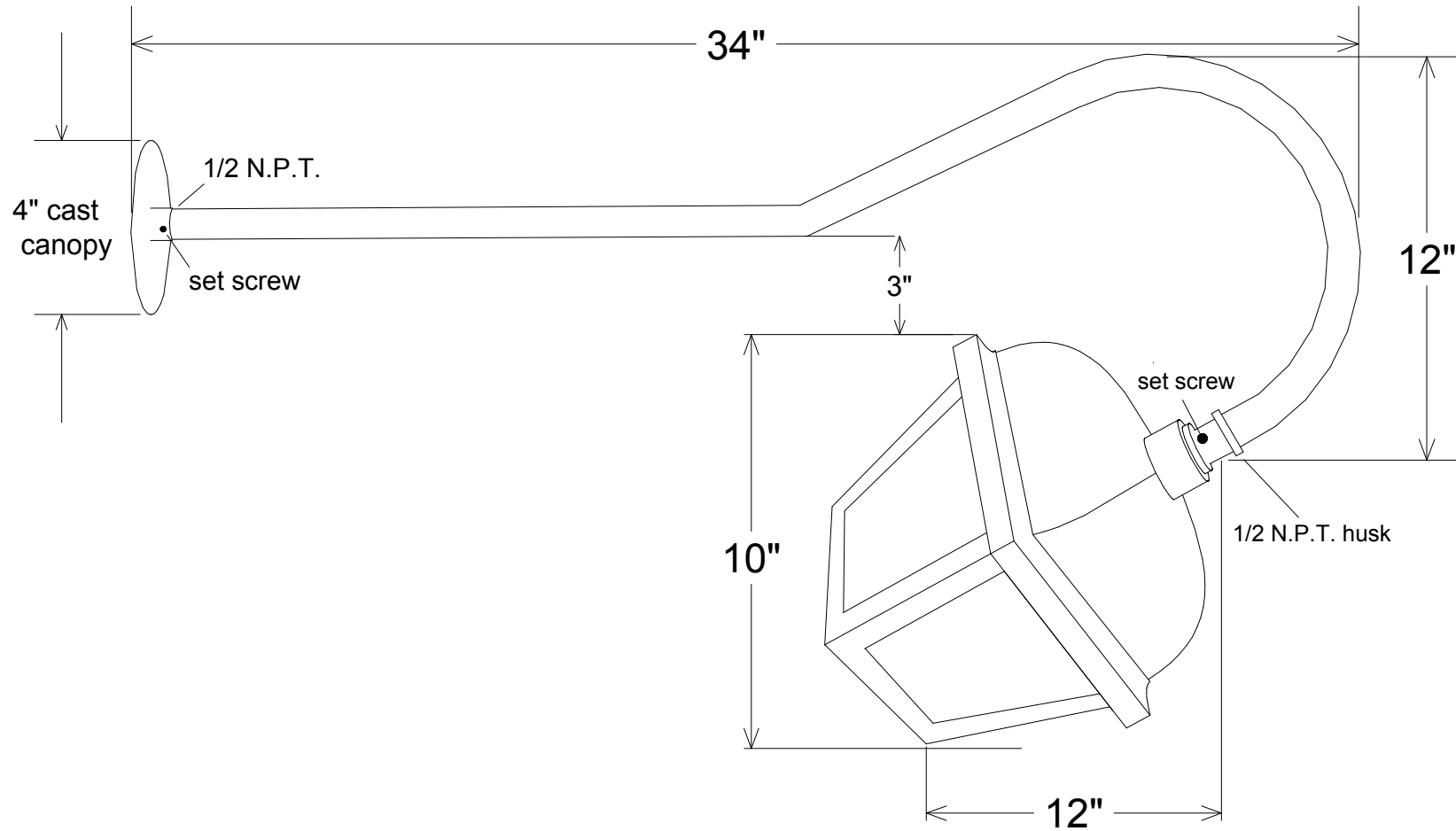


Revisions			Date	Approved
Zone	Rev	Description		



Unless Otherwise Specified: Dimensions in Inches Tolerances: Fractional ± Angular: Mach ± Bend ± Two Place Decimal ± Three Place Decimal ±	Drawn	Name	Date	Primelite Mfg. Corp. 329/864		
	Checked	T.A.R.	11/25/09			
	ENG Appr.					
	MFR Appr.					
	QA					
Construction: All Aluminum	Comments			Size	Drawing No.	Rev
	CAD Generated Drawing Do Not Manually Update			A	0001	A
Lamp: 1-150A				Scale 1:5	CAD File	Sheet 1 of 1