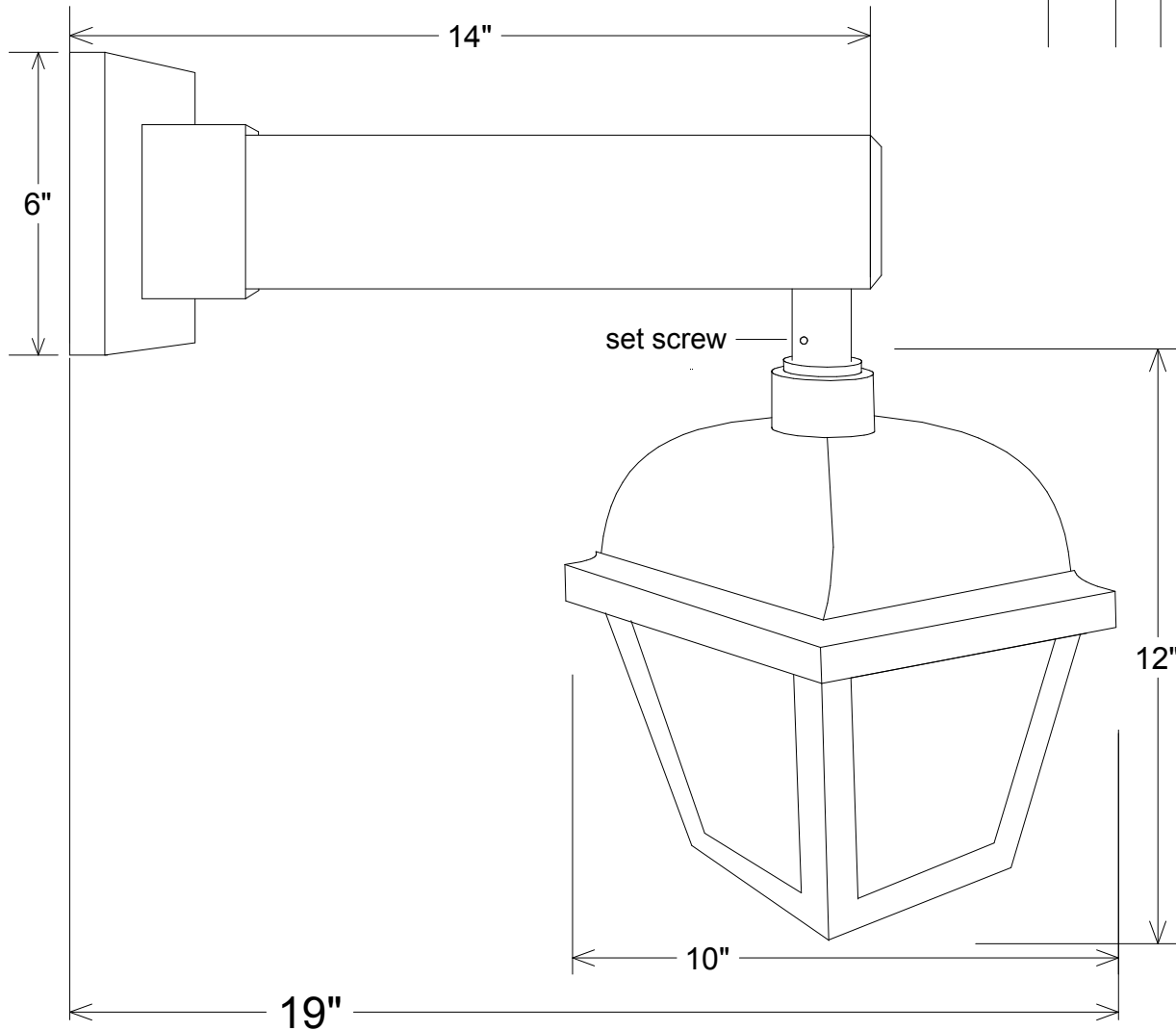


Revisions			Date	Approved
Zone	Rev	Description		



<b>Unless Otherwise Specified:</b> Dimensions in Inches Tolerances: Fractional ± Angular: Mach ± Bend ± Two Place Decimal ± Three Place Decimal ±		<b>Name</b>	<b>Date</b>	<b>Primelite Mfg. Corp.</b>  <b>329/861</b>
	<b>Drawn</b>	T.A.R.	11/20/09	
	<b>Checked</b>			
	<b>ENG Appr.</b>			
	<b>MFR Appr.</b>			
	<b>QA</b>			
<b>Construction: All Aluminum</b>	<b>Comments</b>			<b>Size</b> <b>A</b>
	CAD Generated Drawing Do Not Manually Update			<b>Drawing No.</b> <b>0001</b>
<b>Lamp: 1-150A</b>				<b>Rev</b> <b>A</b>
			<b>Scale</b> <b>1:4</b>	<b>Sheet</b> <b>1 of 1</b>