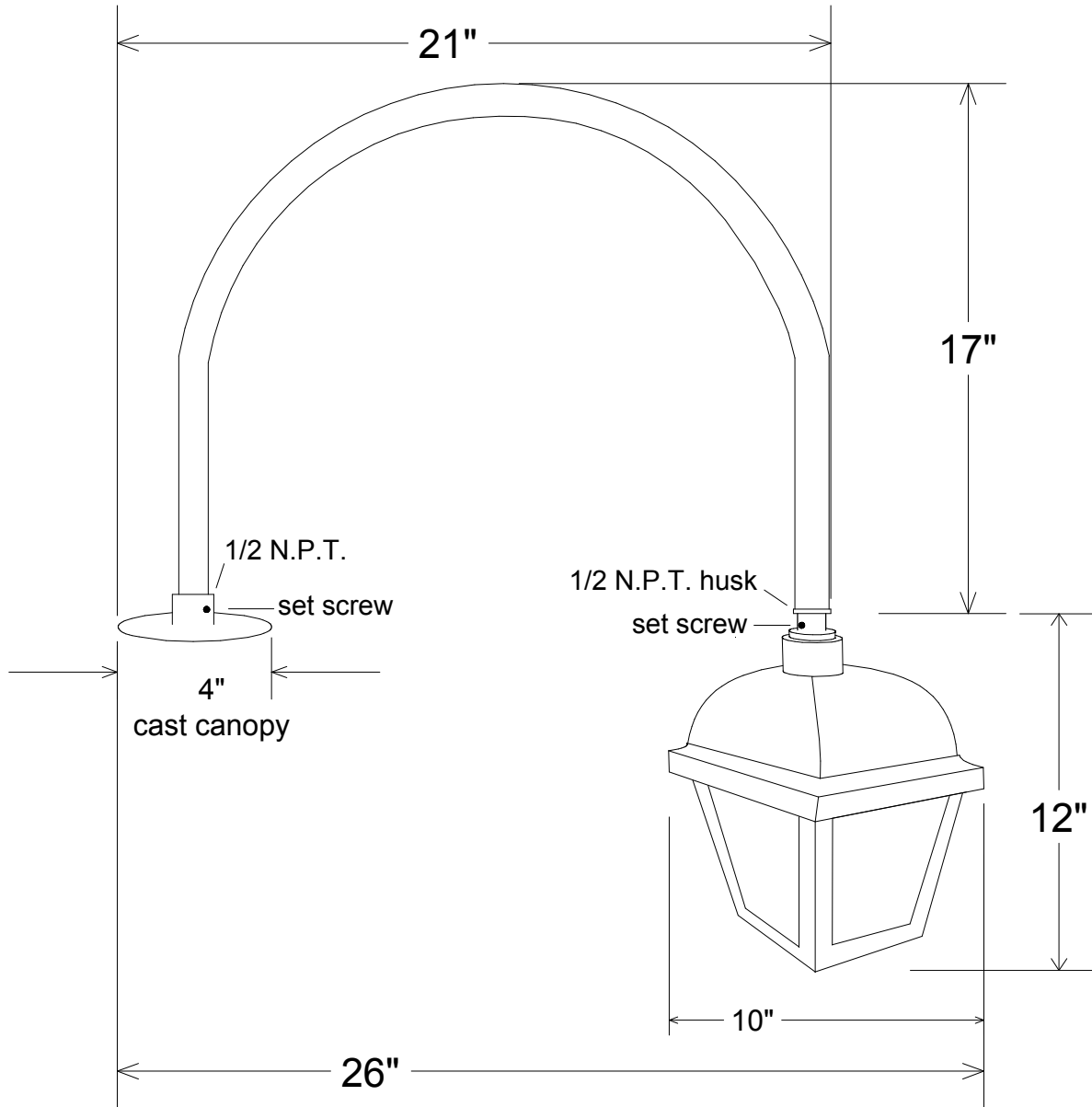


Revisions				
Zone	Rev	Description	Date	Approved



<b>Unless Otherwise Specified:</b> Dimensions in Inches Tolerances: Fractional ± Angular: Mach ± Bend ± Two Place Decimal ± Three Place Decimal ±	<b>Name</b>	<b>Date</b>	<b>Primelite Mfg. Corp.</b>  <b>329/852</b>			
	Drawn	T.A.R.				10/23/09
	Checked					
	ENG Appr.					
	MFR Appr.					
	QA					
	<b>Comments</b>		<b>Size</b>	<b>Drawing No.</b>	<b>Rev</b>	
Construction: All Aluminum	CAD Generated Drawing Do Not Manually Update		A	0001	A	
Pipe Size: 1/2"			<b>Scale</b>	<b>CAD File</b>	<b>Sheet</b>	
Lamp: 1-150A			1:7		1 of 1	