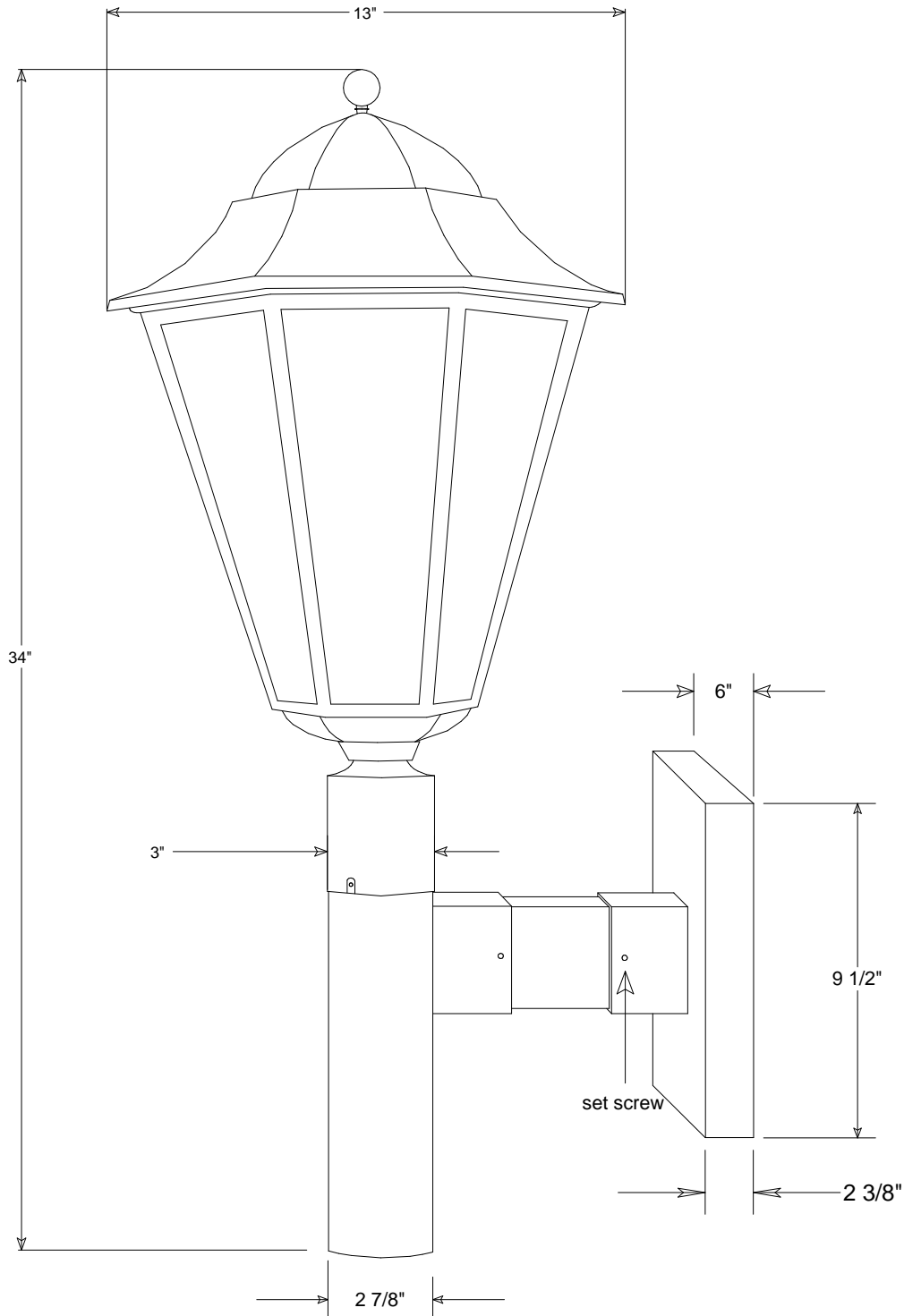


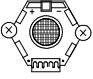


Primelite Manufacturing Corp

407 S Main St, Freeport, NY 11520
 Phone: 516-868-4411 | Fax: 516-868-4609
 sales@primelite-mfg.com | www.primelite-mfg.com

PART # #3251 LED40	LAMP LED	VOLTAGE 120V	COLOR Powder Coated Paint
JOB NAME			TYPE Wall Mount



Lamp: LED

 LED40 (4 x LED10)

Name	Date	Wall Lantern #3251 LED40		
Drawn: iv	08/01/18			
Checked		Exterior Wall Mount LED		
ENG Appr.				
MFR Appr.		Size	Drawing No.	Rev
QA		A	0001	A
Comments		Scale	CAD File	Sheet
				1 of 1

Revisions				
Zone	Rev	Description	Date	Approved