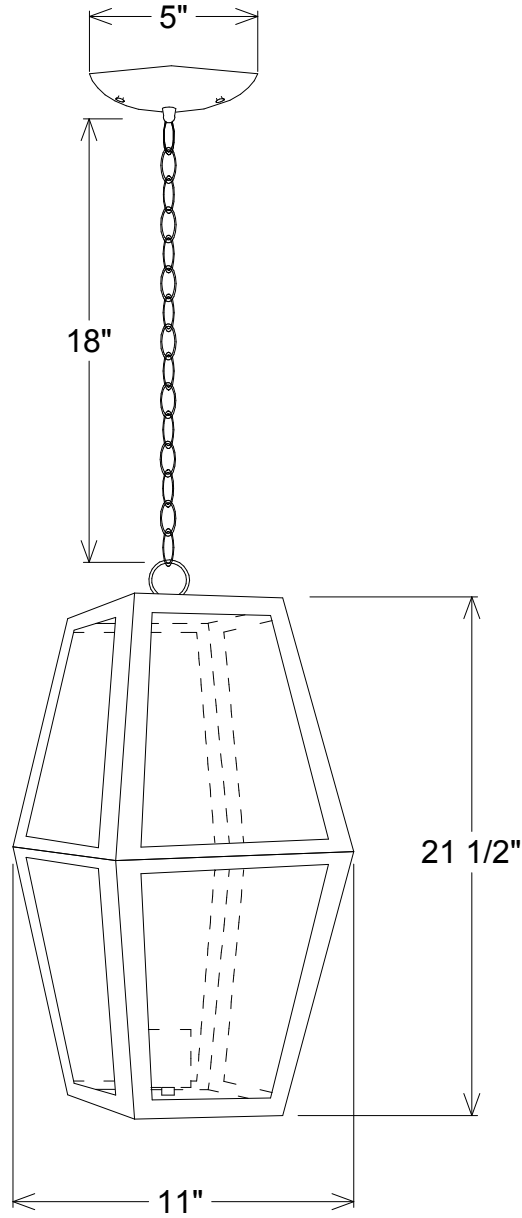


Revisions				
Zone	Rev	Description	Date	Approved



Unless Otherwise Specified: Dimensions in Inches Tolerances: Fractional ± Angular: Mach ± Bend ± Two Place Decimal ± Three Place Decimal ±	Name		Date	Primelite Mfg. Corp.			
	Drawn	T.A.R.	05/26/10				
	Checked				321 21 1/2"X11" Cast Aluminum Lantern Post Light		
	ENG Appr.						
	MFR Appr.						
QA				Size	Drawing No.	Rev	
Construction: All Aluminum		Comments		A	0001	A	
Lamp: 1-300A		CAD Generated Drawing Do Not Manually Update		Scale	CAD File	Sheet	
				1:6		1 of 1	