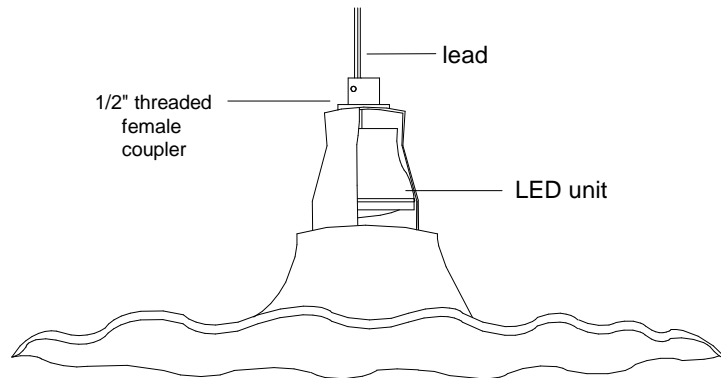
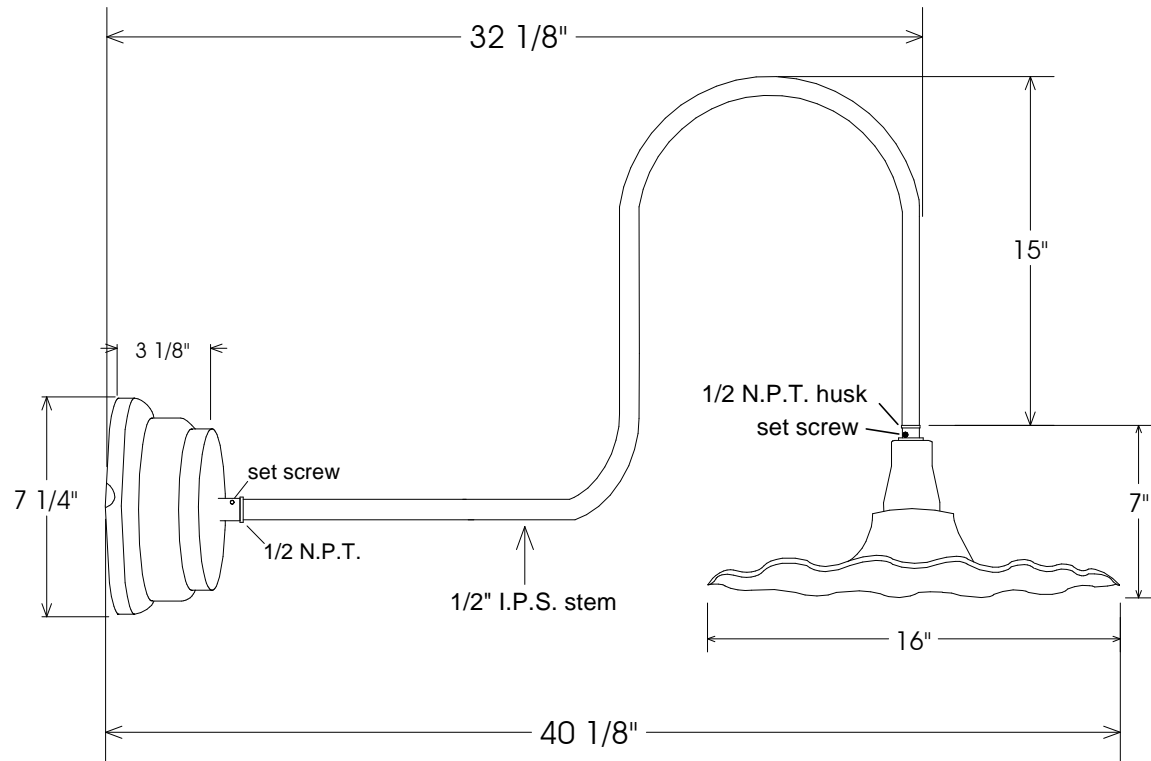
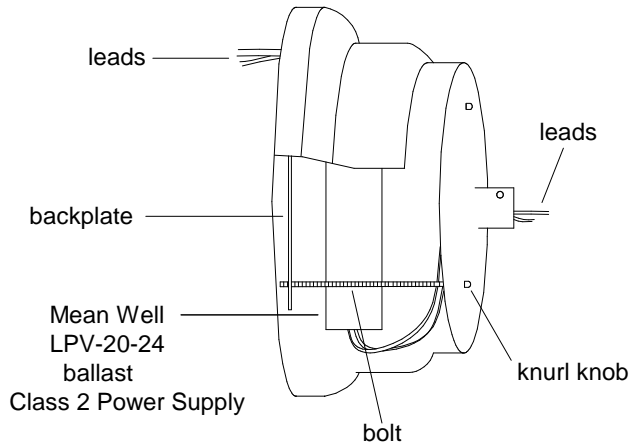


### Small Ballast Pot Canopy



30/16A Shade

- 50,000 hour life
- Average savings is \$39.42 per year as compared to a 75 Watt incandescent
- Savings of \$ 518.16 for the life of the fixture
- Lumen output is equal to a 75 Watt bulb.

<b>Unless Otherwise Specified:</b> Dimensions in Inches Tolerances: Fractional ± Angular: Mach ± Bend ± Two Place Decimal ± Three Place Decimal ±	Name T.A.R.	Date 02/07/12	<b>Primelite Mfg. Corp.</b>  <b>30/16-851 LED</b> <b>24 Watt 1000 Lumens @ 3000K</b> <b>1250 Lumens @ 4000K</b> <b>24 Volt Output</b>			
	Drawn					
	Checked					
	ENG Appr.					
	MFR Appr.					
Construction: All Aluminum	Comments CAD Generated Drawing Do Not Manually Update		Size <b>A</b>	Drawing No. <b>0001</b>	Rev <b>A</b>	
Pipe Size: 1/2"			Scale	CAD File	Sheet <b>1 of 1</b>	