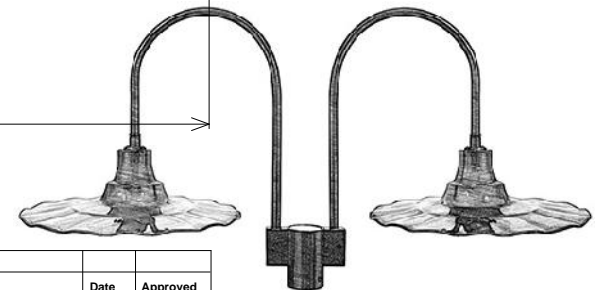
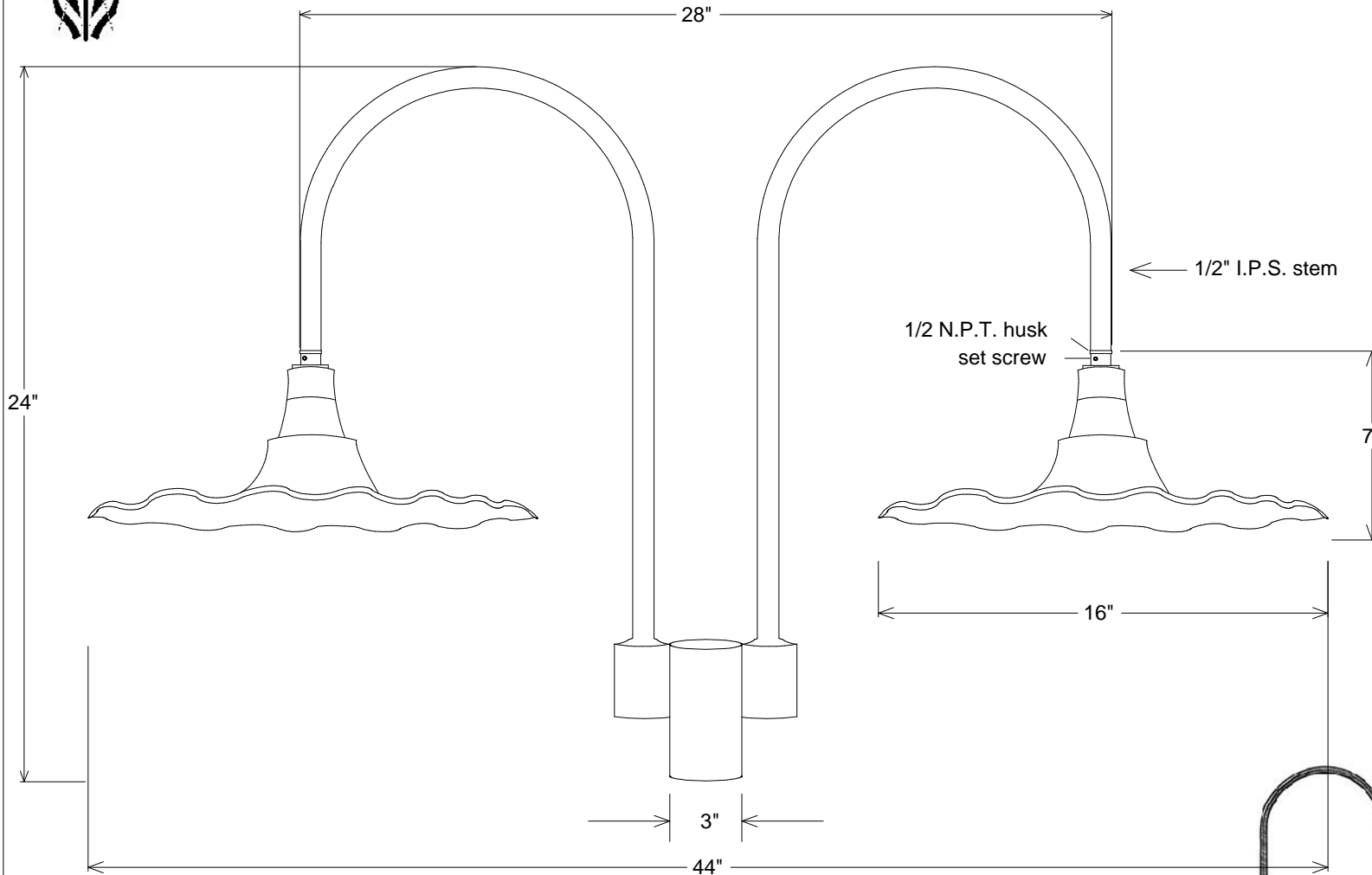




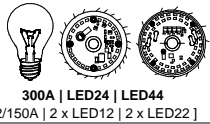
# Primelite Manufacturing Corp

407 S Main St, Freeport, NY 11520  
 Phone: 516-868-4411 | Fax: 516-868-4609  
 sales@primelite-mfg.com | www.primelite-mfg.com

<b>PART #</b> #30/16-1865	<b>LAMP</b> Incandescent   LED	<b>VOLTAGE</b> 120 V	<b>COLOR</b> Powder Coated Paint
<b>JOB NAME</b>			<b>TYPE</b> 3" Post Mount



Lamp: Incandescent | LED



Construction: Aluminum

Unless Otherwise Specified:  
Dimensions in Inches

Name	Date
Drawn: lv	09/17/18
Checked:	
ENG Appr.:	
MFR Appr.:	
QA:	
Comments	

## Post Mount Light #30/16-1865

2 x 16" Dia Shades | 3" Post Mount

Size	Drawing No.	Rev
<b>A</b>	<b>0001</b>	<b>A</b>
Scale	CAD File	Sheet
		<b>1 of 1</b>

Revisions				
Zone	Rev	Description	Date	Approved