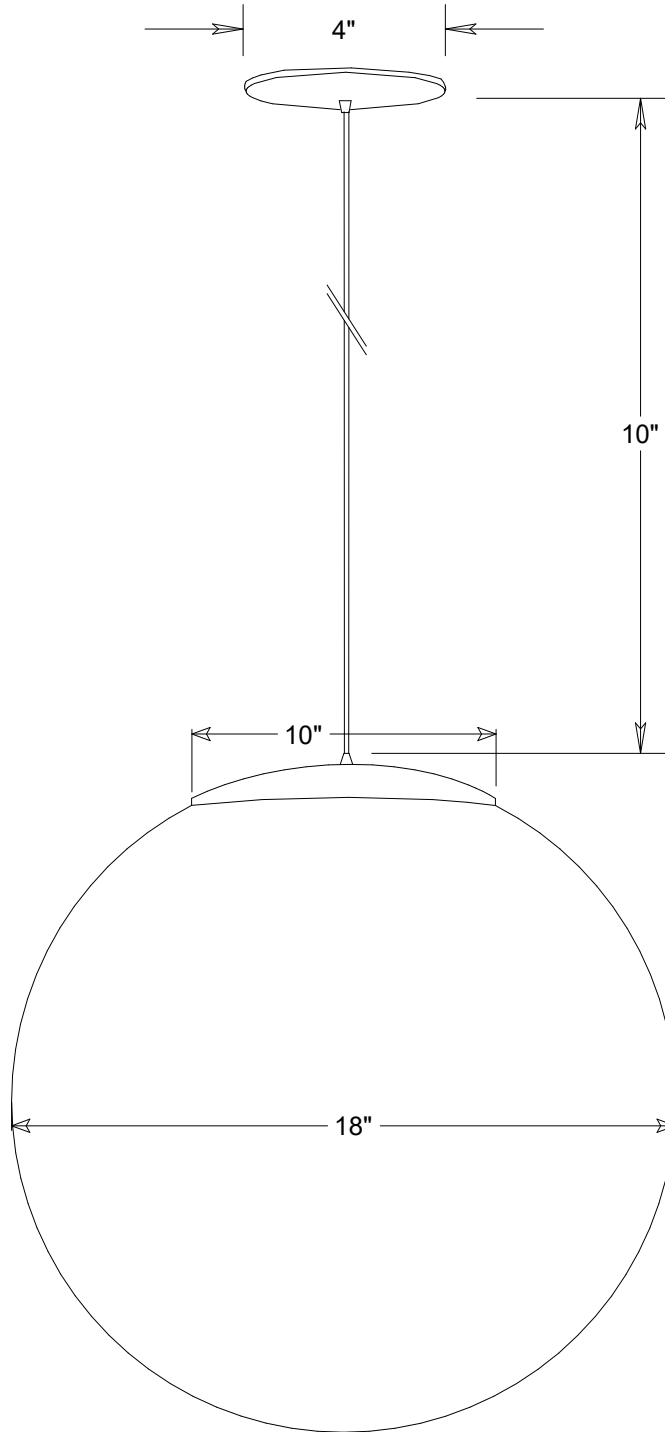




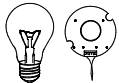
# Primelite Manufacturing Corp

407 S Main St, Freeport, NY 11520  
 Phone: 516-868-4411 | Fax: 516-868-4609  
 sales@primelite-mfg.com | www.primelite-mfg.com

<b>PART #</b> #288-3	<b>LAMP</b> Incandescent   LED	<b>VOLTAGE</b> 120V	<b>COLOR</b> Powder Coated Paint
<b>JOB NAME</b>			<b>TYPE</b> Pendant



Lamp: Incandescent | LED



1/200A | LED90 [LED 18 x 5]

Name Date

Drawn MM 08/2018

Checked

ENG Appr.

MFR Appr.

QA

Weight

## Pendant #288/3 LED90

18" Acrylic Pendant  
 Globe 10' Vinyl Cord | Aluminum Hardware

Size Drawing No. Rev  
**A 0001 A**

Scale CAD File Sheet  
**1 of 1**

Revisions				
Zone	Rev	Description	Date	Approved

Construction: Aluminum  
 Unless Otherwise Specified:  
 Dimensions in Inches