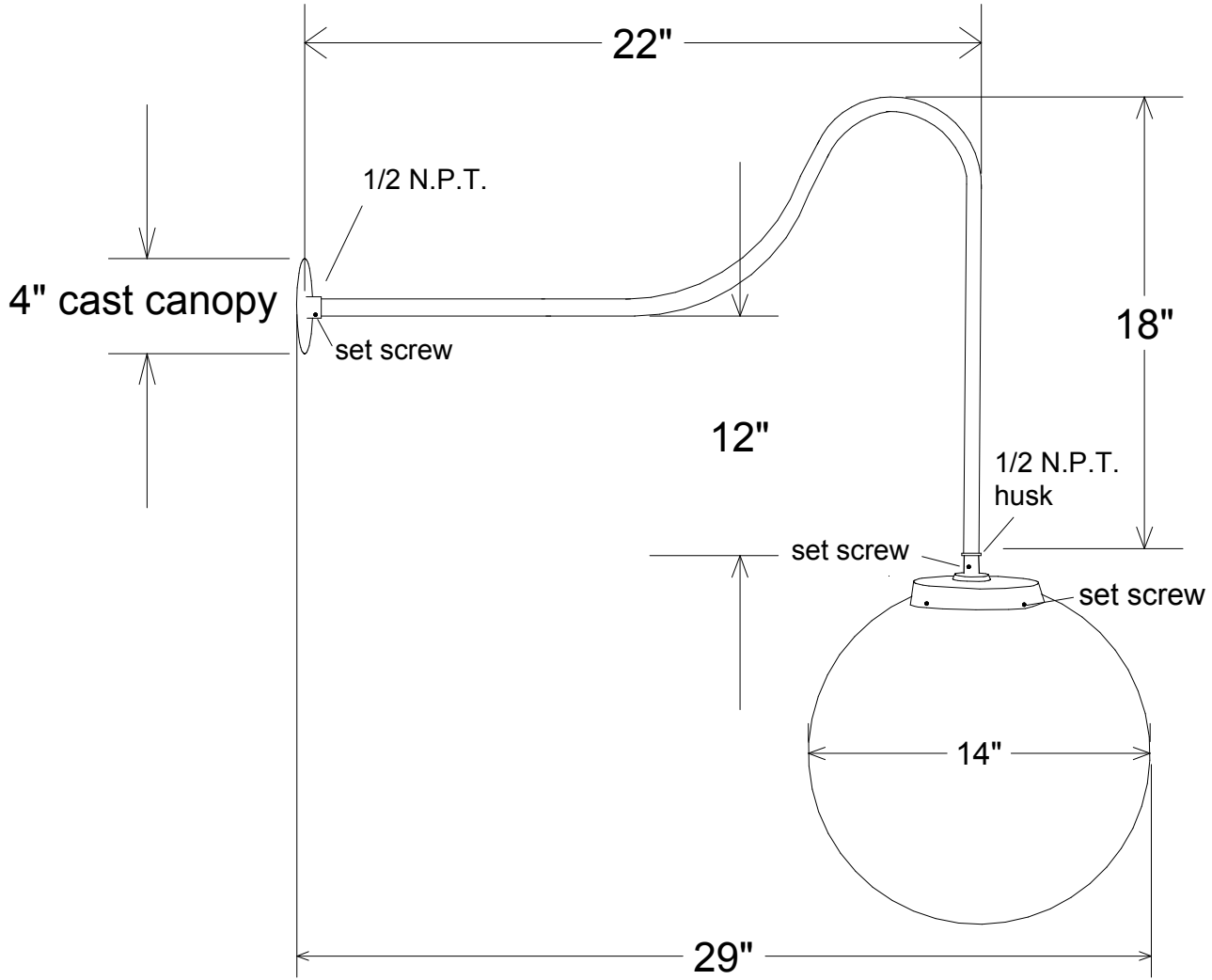


Revisions				
Zone	Rev	Description	Date	Approved



<b>Unless Otherwise Specified:</b> Dimensions in Inches Tolerances: Fractional ± Angular: Mach ± Bend ± Two Place Decimal ± Three Place Decimal ±		Name	Date	<b>Primelite Mfg. Corp.</b>		
	Drawn	T.A.R.	10/20/09			
	Checked			<b>284A/860</b>		
	ENG Appr.					
	MFR Appr.			<b>Acrylic</b>		
	QA					
Construction: All Aluminum	Comments			Size	Drawing No.	Rev
Pipe Size: 1/2"	CAD Generated Drawing Do Not Manually Update			<b>A</b>	<b>0001</b>	<b>A</b>
Lamp: 1-200A				Scale	CAD File	Sheet
				<b>1:7</b>		<b>1 of 1</b>