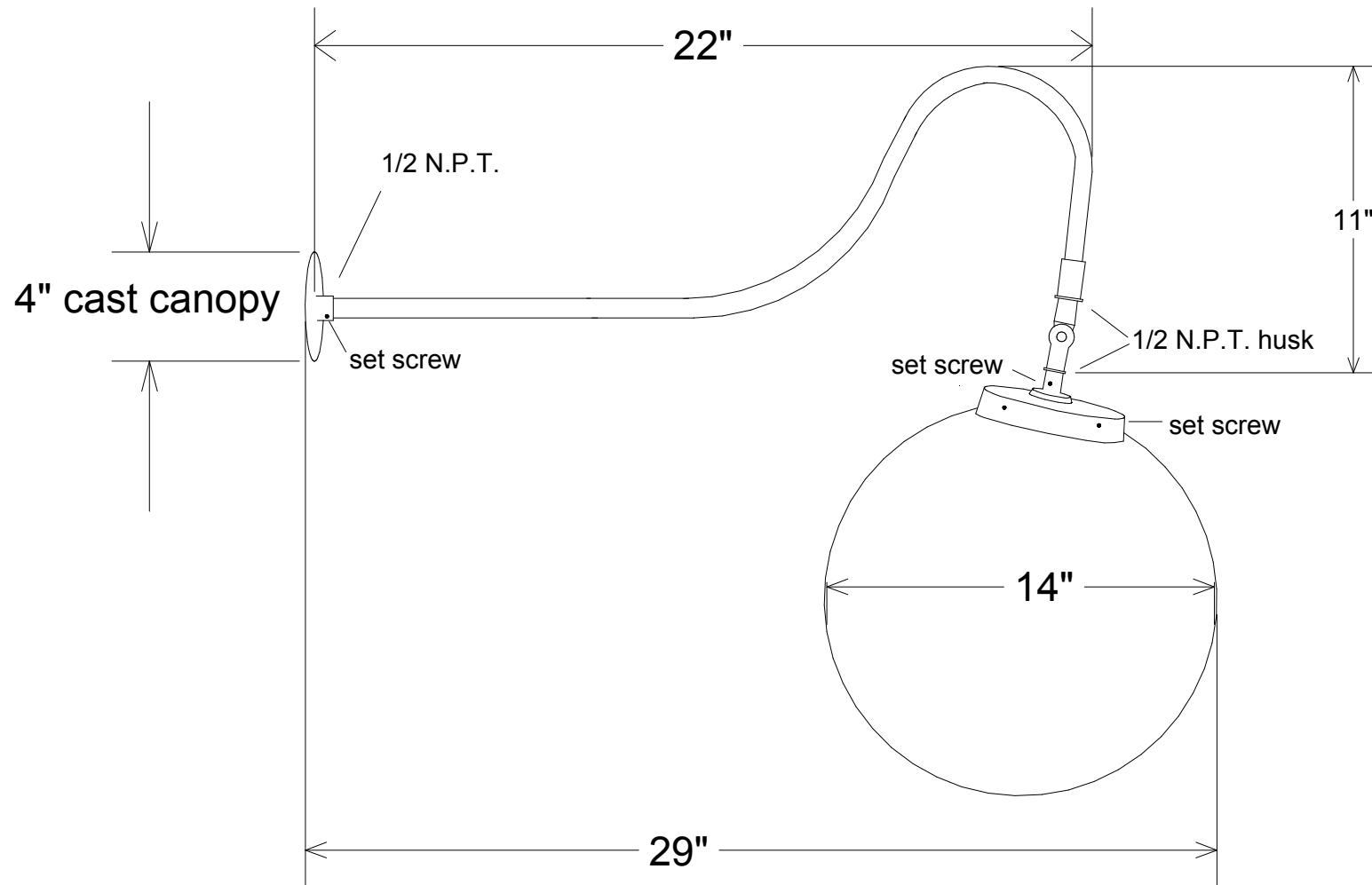


Revisions			Date	Approved
Zone	Rev	Description		



Unless Otherwise Specified: Dimensions in Inches Tolerances: Fractional ± Angular: Mach ± Bend ± Two Place Decimal ± Three Place Decimal ±		Name	Date	Primelite Mfg. Corp. 284A/853 Acrylic
	Drawn	T.A.R.	10/21/09	
	Checked			
	ENG Appr.			
	MFR Appr.			
QA				
Comments	CAD Generated Drawing Do Not Manually Update			
Construction: All Aluminum	Size	Drawing No.	Rev	
Pipe Size: 1/2"	A	0001	A	
Lamp: 1-200A	Scale 1:7	CAD File	Sheet 1 of 1	