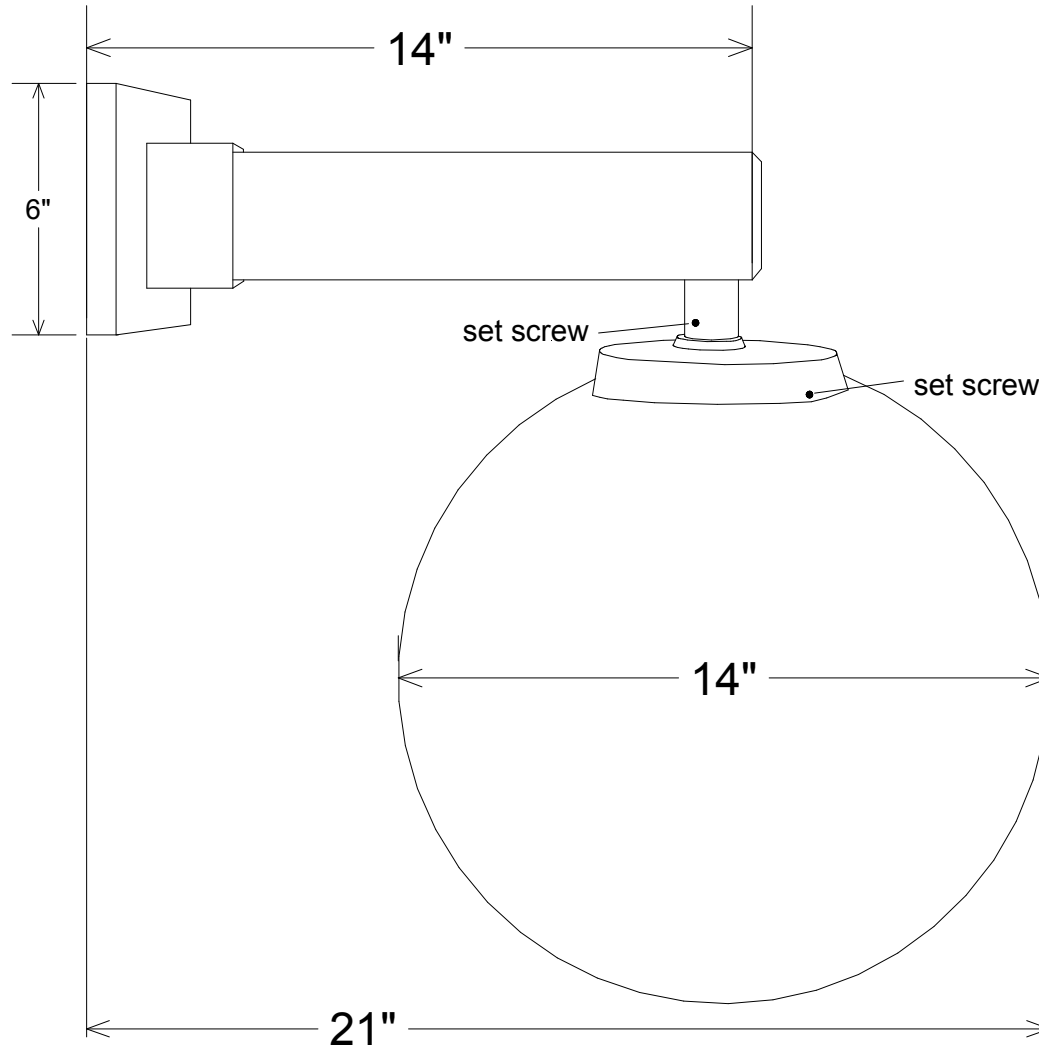


Revisions			Date	Approved
Zone	Rev	Description		



Unless Otherwise Specified:

Dimensions in Inches
Tolerances: Fractional ±
Angular: Mach ± Bend ±
Two Place Decimal ±
Three Place Decimal ±

Construction: All Aluminum

Pipe Size: 1/2"

Lamp: 1-200A

	Name	Date
Drawn	T.A.R.	11/20/09
Checked		
ENG Appr.		
MFR Appr.		
QA		

Comments

CAD Generated Drawing
Do Not Manually Update

Primelite Mfg. Corp.

284/861

Acrylic

Size	Drawing No.	Rev
A	0001	A
Scale 1:4	CAD File	Sheet 1 of 1