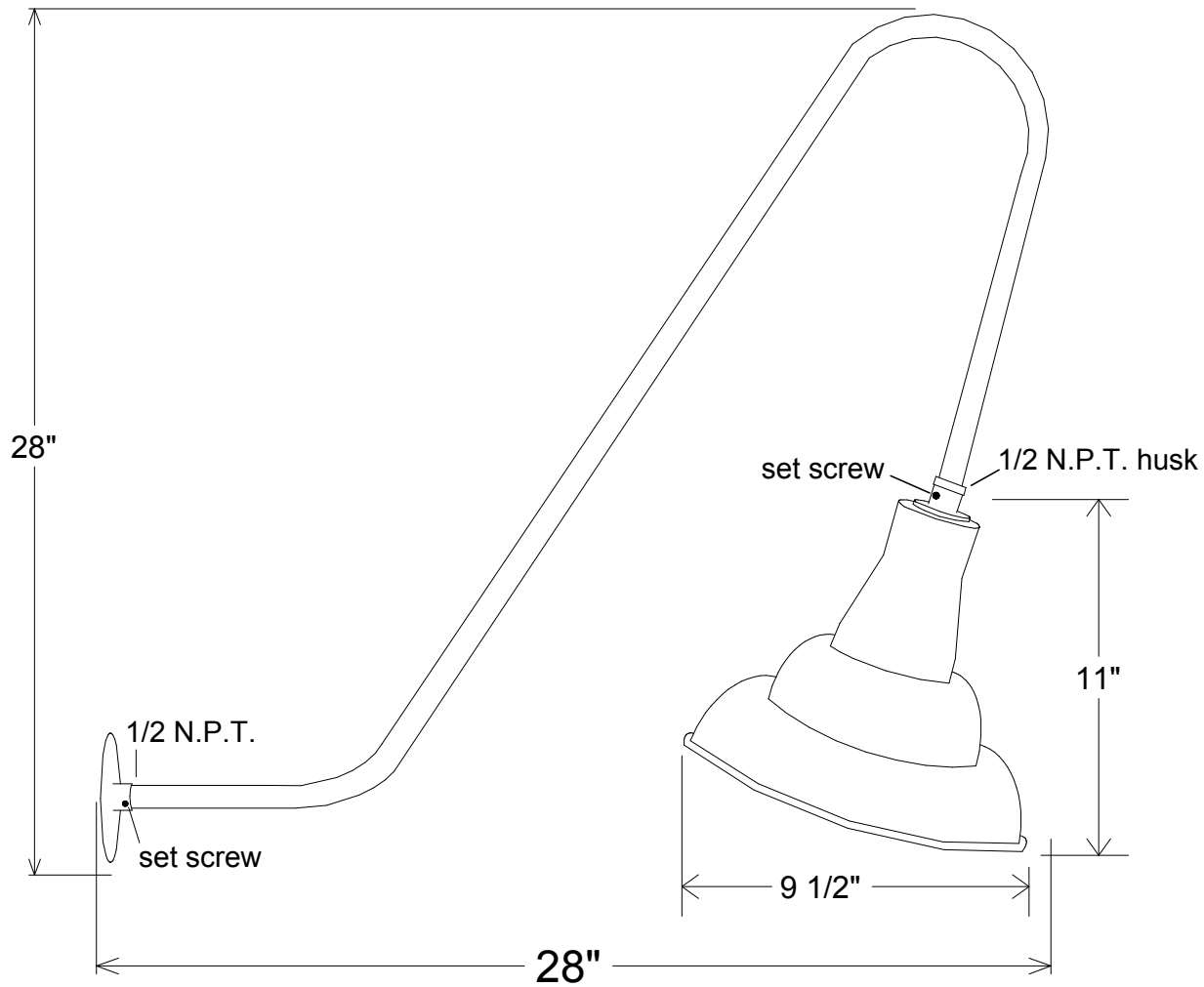


Revisions			Date	Approved
Zone	Rev	Description		



Unless Otherwise Specified:	
Dimensions in Inches	
Tolerances: Fractional ±	
Angular: Mach ± Bend ±	
Two Place Decimal ±	
Three Place Decimal ±	
Construction: All Aluminum	
Pipe Size: 1/2"	
Lamp: 1-300A	

Name	Date
Drawn T.A.R.	12/16/09
Checked	
ENG Appr.	
MFR Appr.	
QA	
Comments CAD Generated Drawing Do Not Manually Update	

Primelite Mfg. Corp.		
27/869		
Size A	Drawing No. 0001	Rev A
Scale 1:5	CAD File	Sheet 1 of 1