

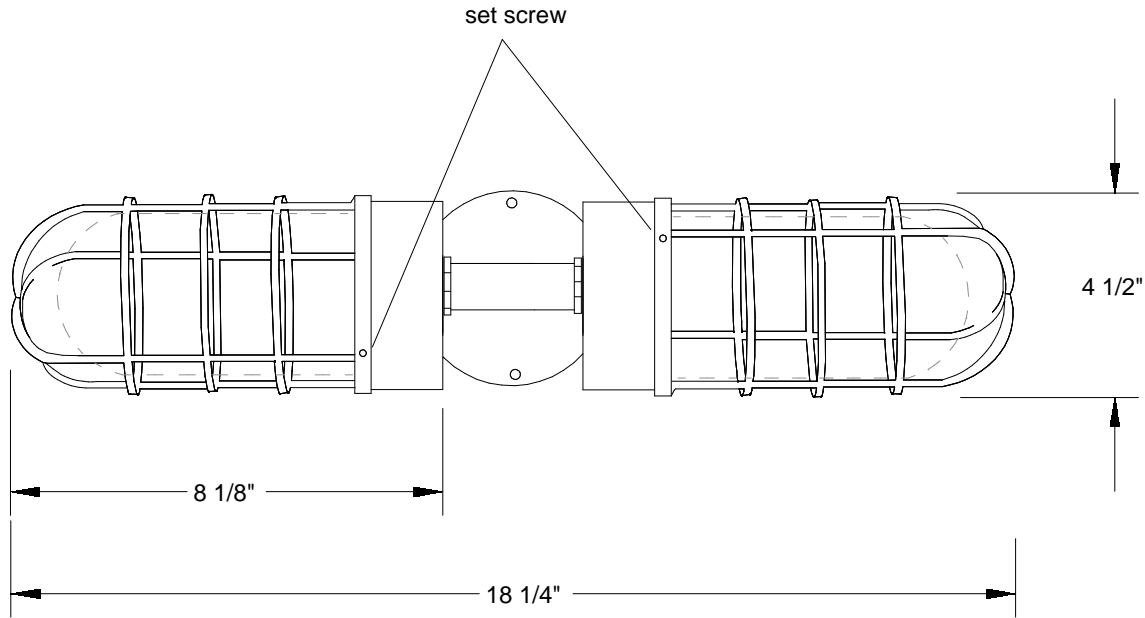


Primelite Manufacturing Corp

407 S Main St, Freeport, NY 11520

Phone: 516-868-4411 | Fax: 516-868-4609
 sales@primelite-mfg.com | www.primelite-mfg.com

PART # #26/722-4WG-HRZ	LAMP Incandescent	VOLTAGE 120 V	COLOR Powder Coated Paint
JOB NAME			TYPE Sconce



Lamp: Incandescent 2 X 100A	Name	Date	Sconce #26/722-4WG HRZ							
	Drawn	lv					02/23/18			
	Checked			2 x Jelly Jar w/ Wire Guard Horizontal						
	ENG Appr.									
	MFR Appr.			Size	Drawing No.	Rev	Revisions			
QA			A	0001	A	Zone	Rev	Description	Date	Approved
Construction: Aluminum	Comments		Scale	CAD File	Sheet					
Unless Otherwise Specified: Dimensions in Inches					1 of 1					