

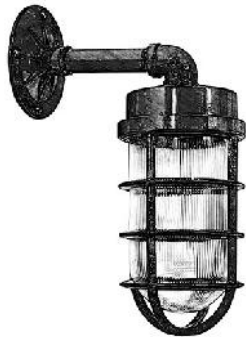
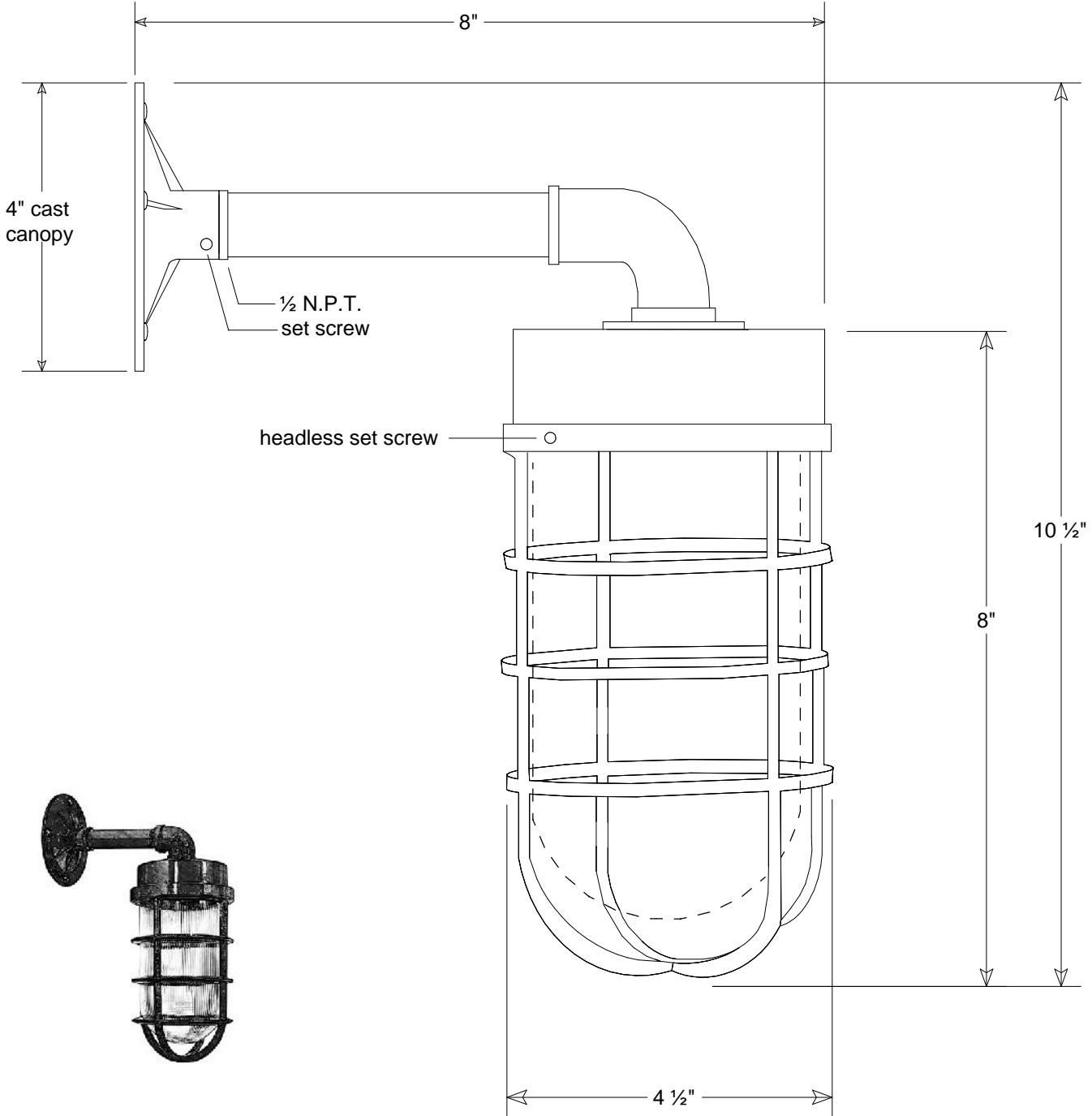




Primelite Manufacturing Corp

407 S Main St, Freeport, NY 11520

Phone: 516-868-4411 | Fax: 516-868-4609
 sales@primelite-mfg.com | www.primelite-mfg.com

| | | | |
|-----------------------|----------------------------|--------------------|------------------------------|
| PART # #26/721-5WG | LAMP Incandescent LED | VOLTAGE 120V | COLOR Powder Coated Paint |
| JOB NAME | | TYPE Wall Mount | |



| | | | | | |
|---|-----------|------------|-------------------------------|-------------|---------------|
| Lamp: Incandescent LED | Name | Date | Wall Mount #26/721-5WG | | |
|   1/100A LED12 3K | Drawn | MM 07/2018 | | | |
| Construction: Aluminum | Checked | | Size | Drawing No. | Rev |
| Unless Otherwise Specified: Dimensions in Inches | ENG Appr. | | A | 0001 | A |
| | MFR Appr. | | Scale | CAD File | Sheet |
| | QA | | | | 1 of 1 |
| | Weight | | | | |

| Revisions | | | | |
|-----------|-----|-------------|------|----------|
| Zone | Rev | Description | Date | Approved |
| | | | | |
| | | | | |
| | | | | |