

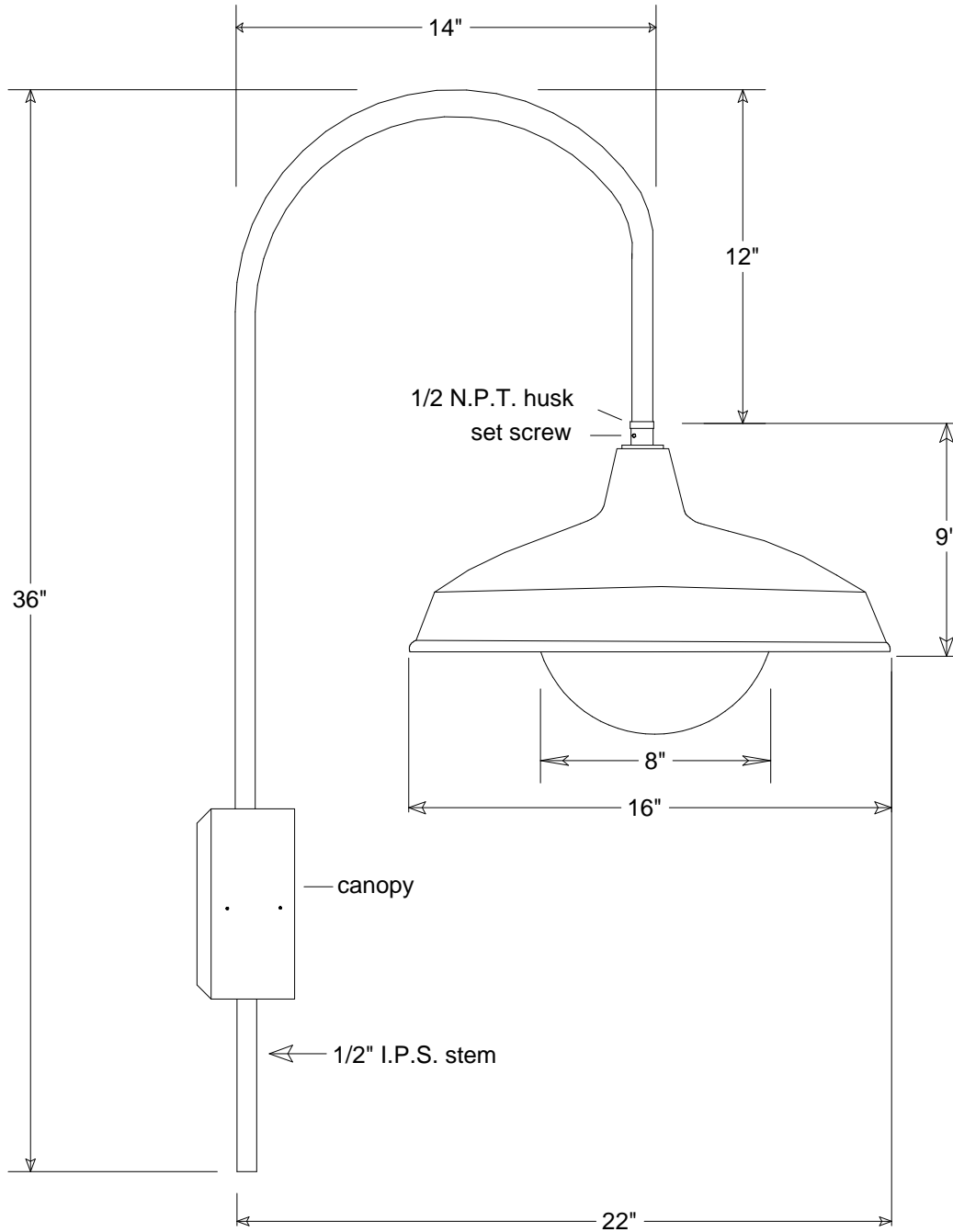


# Primelite Manufacturing Corp

407 S Main St, Freeport, NY 11520

Phone: 516-868-4411 | Fax: 516-868-4609  
 sales@primelite-mfg.com | www.primelite-mfg.com

PART #	LAMP	VOLTAGE	COLOR
JOB NAME			TYPE



<b>Unless Otherwise Specified:</b> Dimensions in Inches Tolerances: Fractional ± Angular: Mach ± Bend ± Two Place Decimal ± Three Place Decimal ±	Name		Date		<b>Gooseneck #2566</b>						
	Drawn	iv	12/28/17								
	Checked				16" Shade   8" Acrylic Globe   14" Arm						
	ENG Appr.										
Construction: Aluminum, acrylic	MFR Appr.			Size	Drawing No.	Rev	Revisions				
Lamp: Incandescent   LED 1/200A   LED12   LED22	QA			<b>A</b>	<b>0001</b>	<b>A</b>	Zone	Rev	Description	Date	Approved
	Comments			Scale	CAD File	Sheet					
						<b>1 of 1</b>					