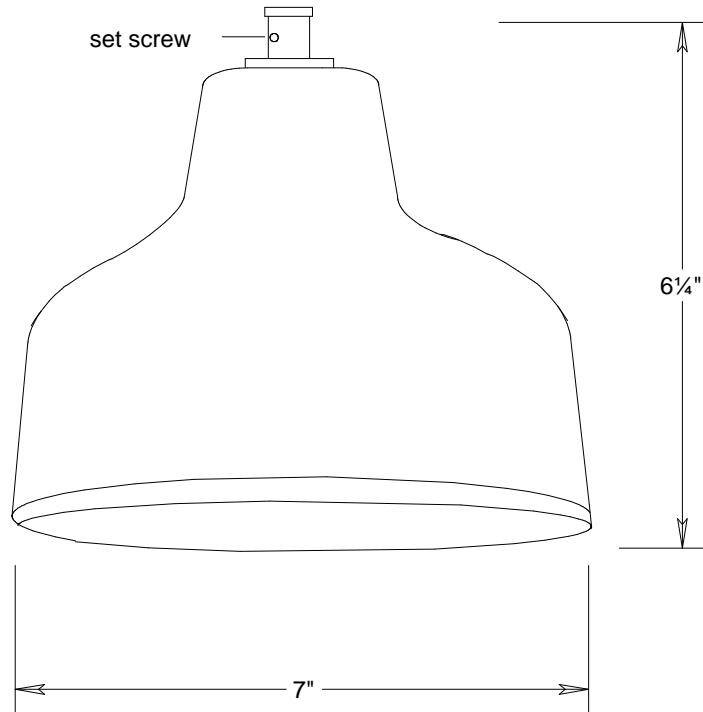






Primelite Manufacturing Corp

407 S Main St, Freeport, NY 11520
 Phone: 516-868-4411 | Fax: 516-868-4609
 sales@primelite-mfg.com | www.primelite-mfg.com

PART # #23/7A	LAMP Incandescent LED	VOLTAGE 120V	COLOR Powder Coated Paint
JOB NAME			TYPE Shade Factory Shade Barn Light



Lamp: Incandescent LED   1/60A LED12	Name	Date	Shade #23/7A			
	Drawn	lv				08/02/18
	Checked			7" Dia Shade Factory Shade Barn Light		
	ENG Appr.					
Construction: Aluminum	MFR Appr.		Size	Drawing No.	Rev	
Unless Otherwise Specified: Dimensions in Inches	QA		A	0001	A	
	Comments		Scale	CAD File	Sheet	
					1 of 1	

Revisions				
Zone	Rev	Description	Date	Approved