

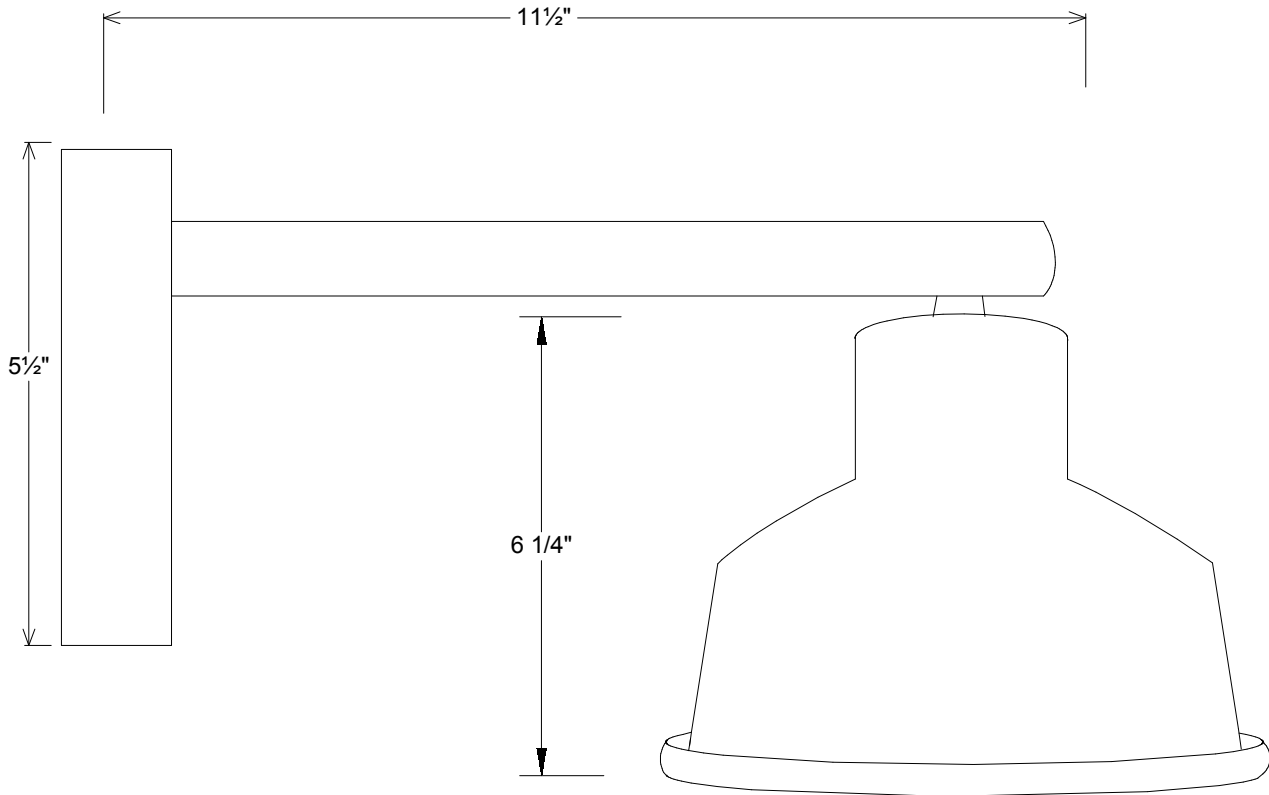


# Primelite Manufacturing Corp

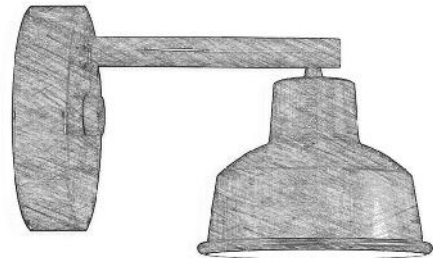
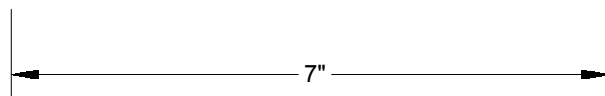
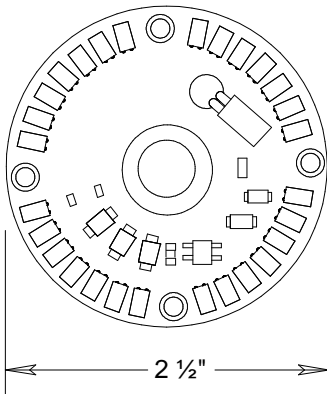
407 S Main St, Freeport, NY 11520

Phone: 516-868-4411 | Fax: 516-868-4609  
 sales@primelite-mfg.com | www.primelite-mfg.com

PART #	LAMP	VOLTAGE	COLOR
JOB NAME			TYPE



LED12



<b>Unless Otherwise Specified:</b> Dimensions in Inches Tolerances: Fractional ± Angular: Mach ± Bend ± Two Place Decimal ± Three Place Decimal ±	Name		Date		<b>Gooseneck #23/7-613 LED12</b>		
	Drawn	iv	01/02/18				
	Checked				"Straight-Arm" Gooseneck "Straight-Neck"		
	ENG Appr.						
	MFR Appr.				Size	Drawing No.	Rev
QA				<b>A</b>	<b>0001</b>	<b>A</b>	
Construction: Aluminum	Comments		Scale	CAD File	Sheet	<b>1 of 1</b>	

Revisions				
Zone	Rev	Description	Date	Approved