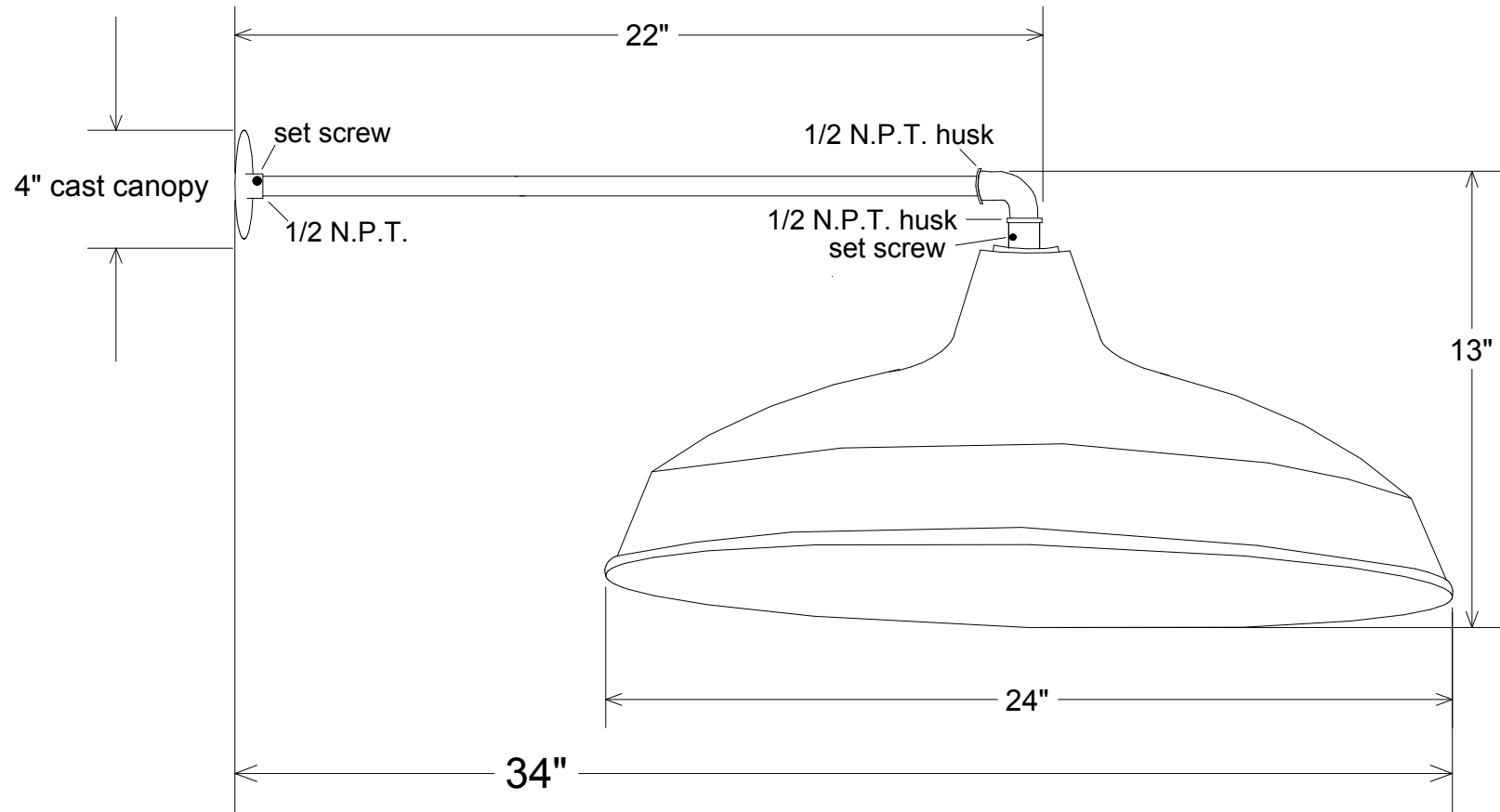


Revisions			Date	Approved
Zone	Rev	Description		



Unless Otherwise Specified: Dimensions in Inches Tolerances: Fractional ± Angular: Mach ± Bend ± Two Place Decimal ± Three Place Decimal ±	Drawn	T.A.R.	10/29/09	Primelite Mfg. Corp. 23/24-855		
	Checked					
	ENG Appr.					
	MFR Appr.					
	QA					
Construction: All Aluminum	Comments			Size A	Drawing No. 0001	Rev A
Pipe Size: 1/2"	CAD Generated Drawing Do Not Manually Update			Scale 1:4	CAD File	Sheet 1 of 1
Lamp: 1-200A						