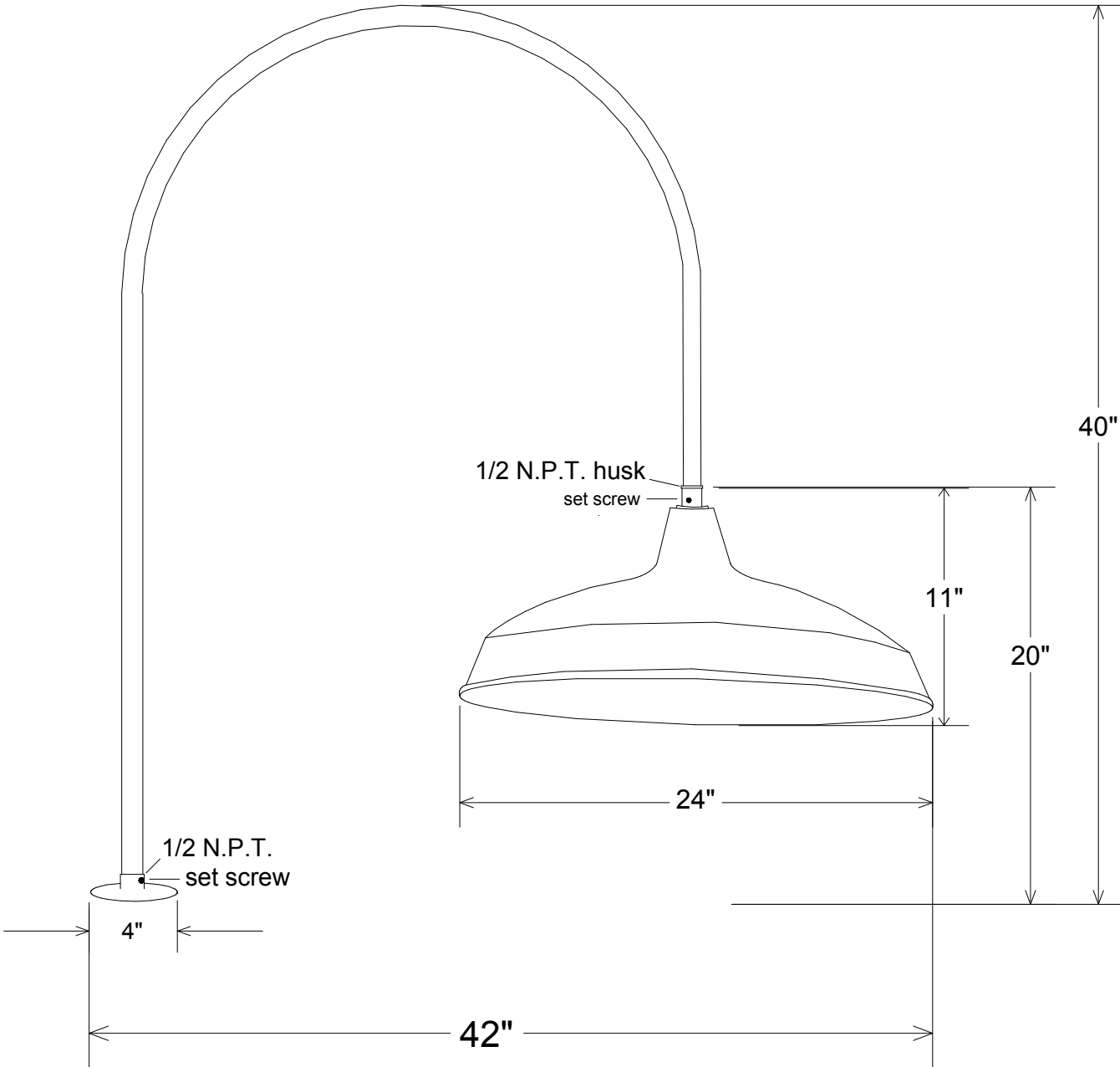


Revisions				
Zone	Rev	Description	Date	Approved



<b>Unless Otherwise Specified:</b> Dimensions in Inches Tolerances: Fractional ± Angular: Mach ± Bend ± Two Place Decimal ± Three Place Decimal ±	<b>Drawn</b>	Name	Date	<b>Primelite Mfg. Corp.</b>  <b>23/24-854</b>
		T.A.R.	10/26/09	
	<b>Checked</b>			
	<b>ENG Appr.</b>			
	<b>MFR Appr.</b>			
	<b>QA</b>			
	<b>Comments</b>			
<b>Construction: All Aluminum</b>	CAD Generated Drawing Do Not Manually Update			Size <b>A</b> Drawing No. <b>0001</b> Rev <b>A</b>
<b>Pipe Size: 1/2"</b>				Scale <b>1:6</b> CAD File      Sheet <b>1 of 1</b>
<b>Lamp: 1-200A</b>				