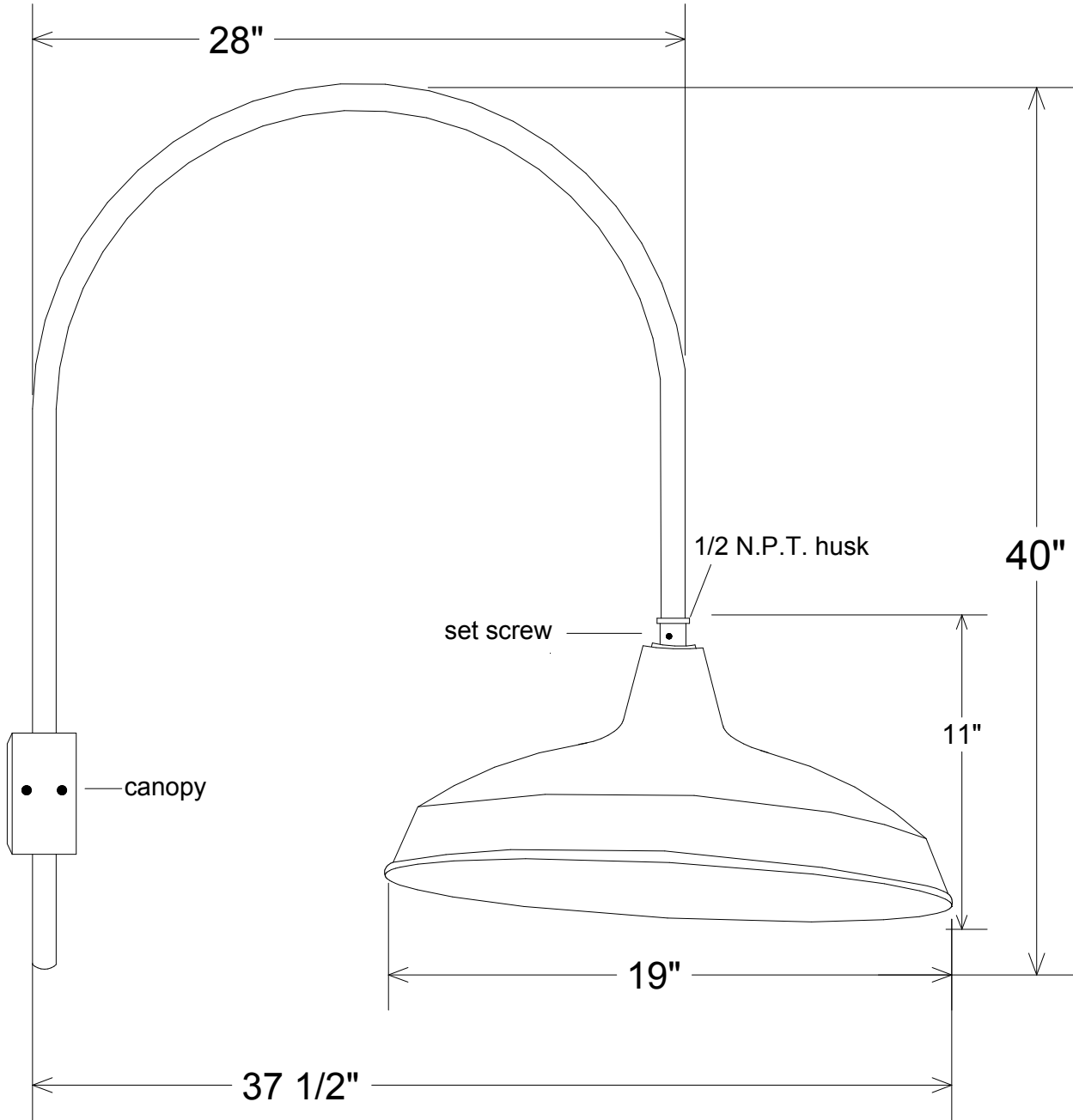


Revisions				
Zone	Rev	Description	Date	Approved



Unless Otherwise Specified: Dimensions in Inches Tolerances: Fractional ± Angular: Mach ± Bend ± Two Place Decimal ± Three Place Decimal ±		Name	Date	Primelite Mfg. Corp.		
	Drawn	T.A.R.	11/11/09			
	Checked			Size	Drawing No.	Rev
	ENG Appr.			A	0001	A
	MFR Appr.			Scale	CAD File	Sheet
QA			1:6		1 of 1	
Construction: All Aluminum	Comments					
Pipe Size: 1/2"	CAD Generated Drawing Do Not Manually Update					
Lamp: 1-200A						