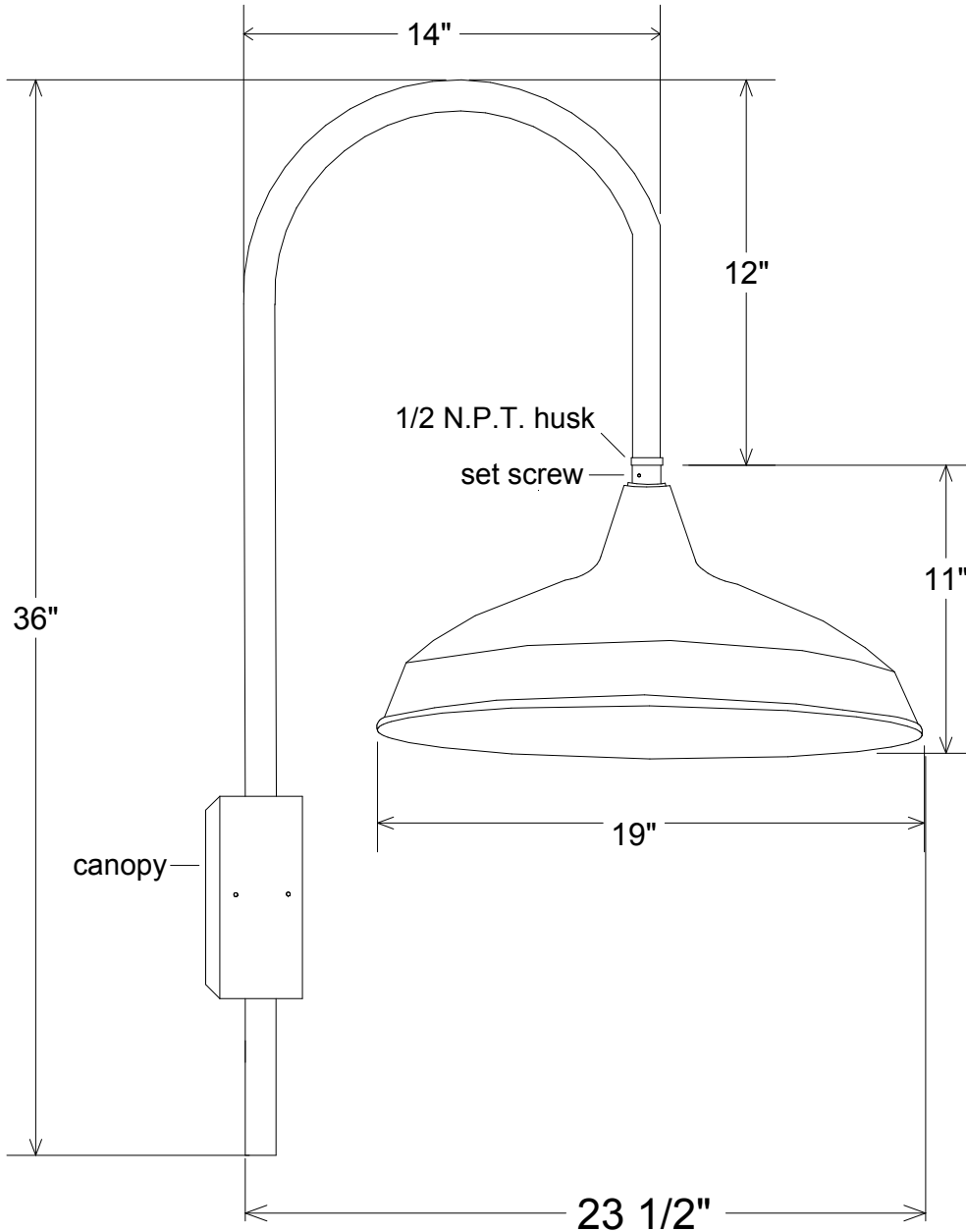


Revisions				
Zone	Rev	Description	Date	Approved



Unless Otherwise Specified: Dimensions in Inches Tolerances: Fractional ± Angular: Mach ± Bend ± Two Place Decimal ± Three Place Decimal ±	Name T.A.R.	Date 11/04/09	Primelite Mfg. Corp. 23/19-862		
	Drawn	Checked			
	QA	Comments CAD Generated Drawing Do Not Manually Update	Size A	Drawing No. 0001	Rev A
	Construction: All Aluminum	Scale 1:6	CAD File	Sheet 1 of 1	Lamp: 1-200A
	Pipe Size: 1/2"	Scale 1:6	CAD File	Sheet 1 of 1	Lamp: 1-200A