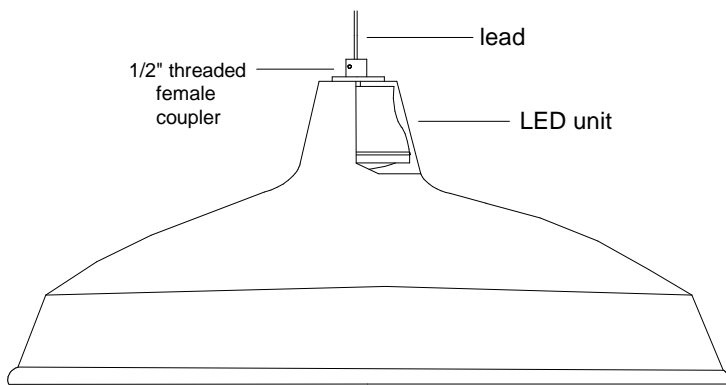
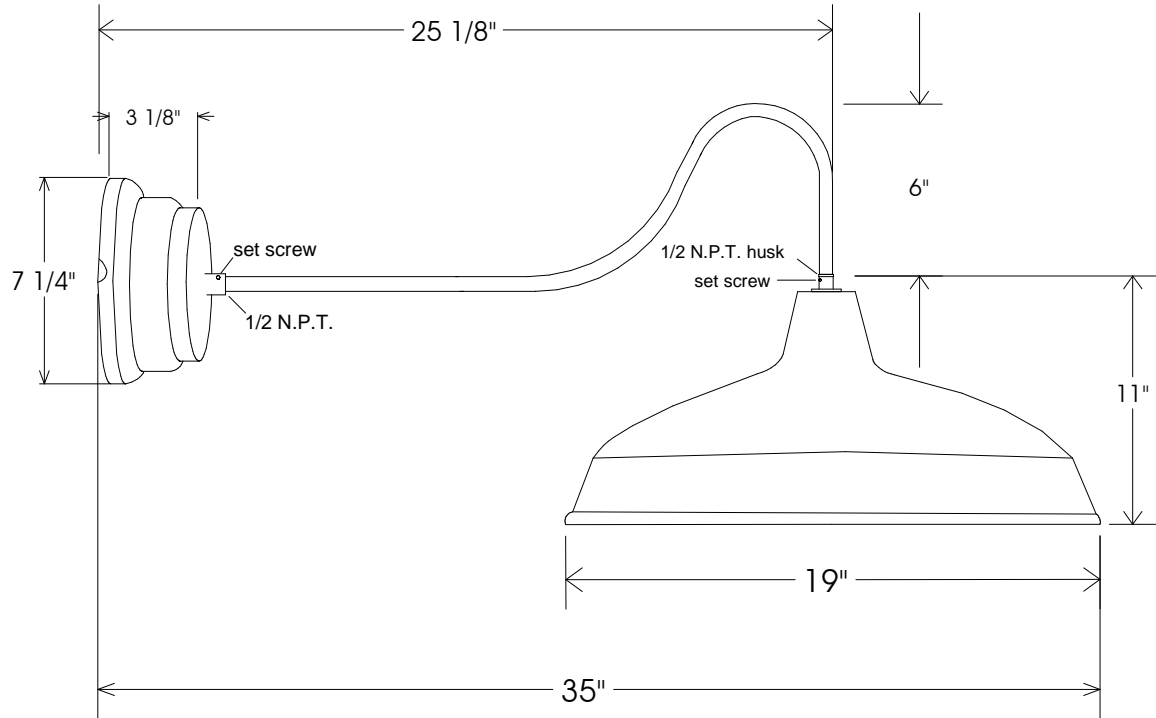
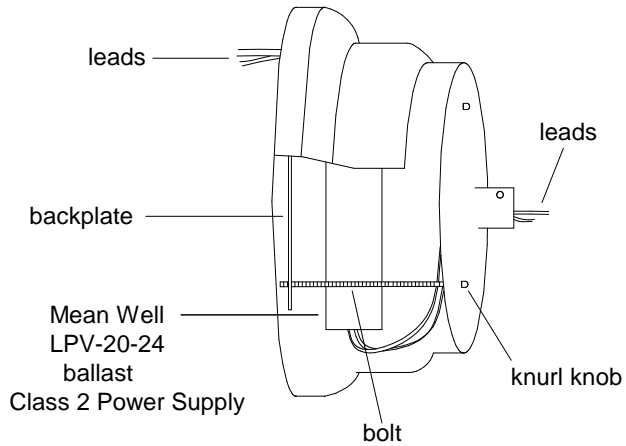


### Small Ballast Pot Canopy



23/19A Shade

- 50,000 hour life
- Average savings is \$39.42 per year as compared to a 75 Watt incandescent
- Savings of \$ 518.16 for the life of the fixture
- Lumen output is equal to a 75 Watt bulb.

|  |                |                  |  |                            |                        |
|--|----------------|------------------|--|----------------------------|------------------------|
| <b>Unless Otherwise Specified:</b><br>Dimensions in Inches<br>Tolerances: Fractional ±<br>Angular: Mach ± Bend ±<br>Two Place Decimal ±<br>Three Place Decimal ± | Name<br>T.A.R. | Date<br>02/07/12 | <b>Primelite Mfg. Corp.</b><br><br><b>23/19-857 LED</b><br><b>24 Watt 1000 Lumens @ 3000K</b><br><b>1250 Lumens @ 4000K</b><br><b>24 Volt Output</b> |                            |                        |
|  | Drawn          |                  |  |                            |                        |
|  | Checked        |                  |  |                            |                        |
|  | ENG Appr.      |                  |  |                            |                        |
|  | MFR Appr.      |                  |  |                            |                        |
| QA   |                |                  |  |                            |                        |
| Comments<br>CAD Generated Drawing<br>Do Not Manually Update  |                |                  | Size<br><b>A</b>   | Drawing No.<br><b>0001</b> | Rev<br><b>A</b>        |
| Construction: All Aluminum   |                |                  | Scale  | CAD File                   | Sheet<br><b>1 of 1</b> |
| Pipe Size: 1/2"  |                |                  |  |                            |                        |