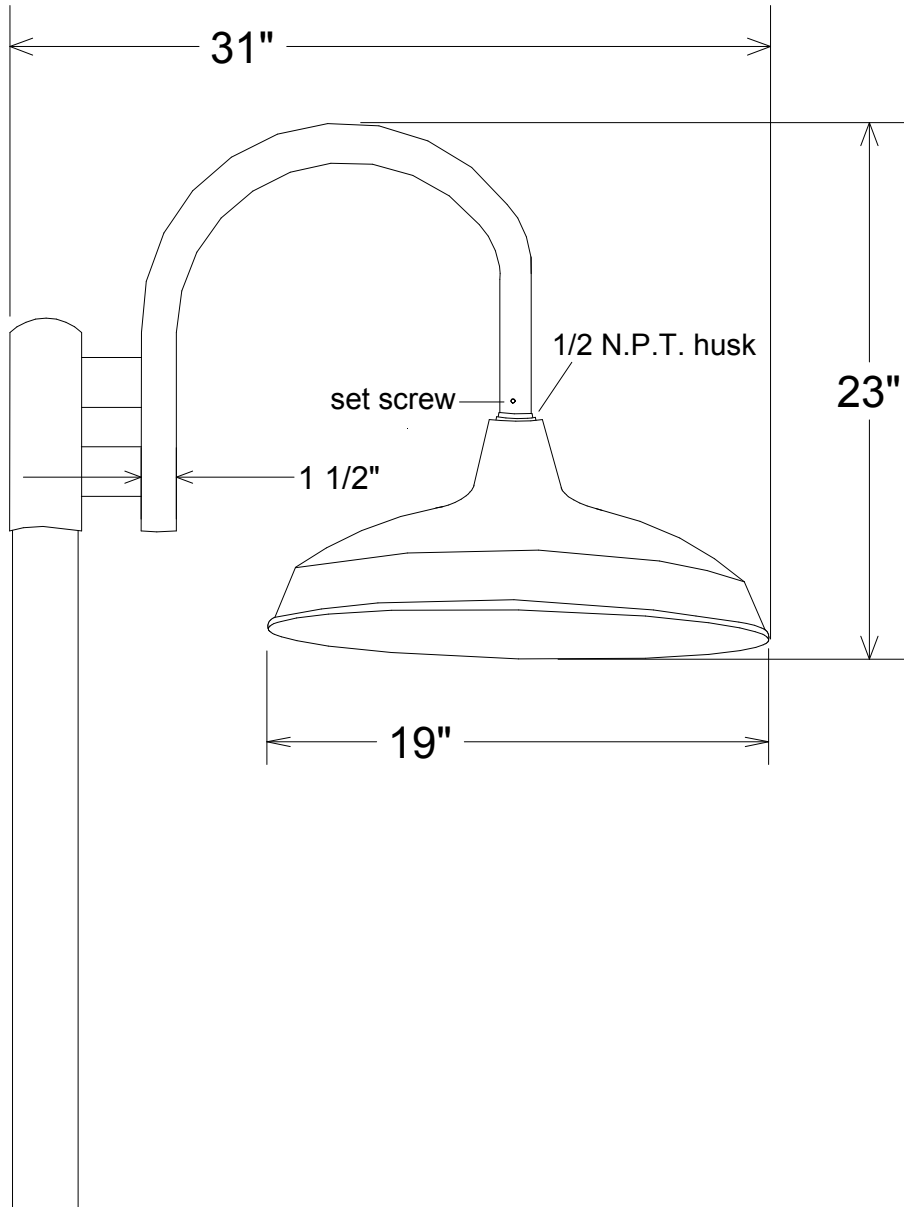


Revisions				
Zone	Rev	Description	Date	Approved



Unless Otherwise Specified: Dimensions in Inches Tolerances: Fractional ± Angular: Mach ± Bend ± Two Place Decimal ± Three Place Decimal ±	Drawn	T.A.R.	11/17/09	Primelite Mfg. Corp. 23/19-1963		
	Checked					
	ENG Appr.					
	MFR Appr.					
	QA					
Construction: All Aluminum	Comments			Size	Drawing No.	Rev
Pipe Size: 1 1/2"	CAD Generated Drawing Wire Guard Cat# WG3 sold separately			A	0001	A
Lamp: 1-100A incandescent	70W, 100W, and 150W Metal Halide also available			Scale	CAD File	Sheet
				1:8		1 of 1