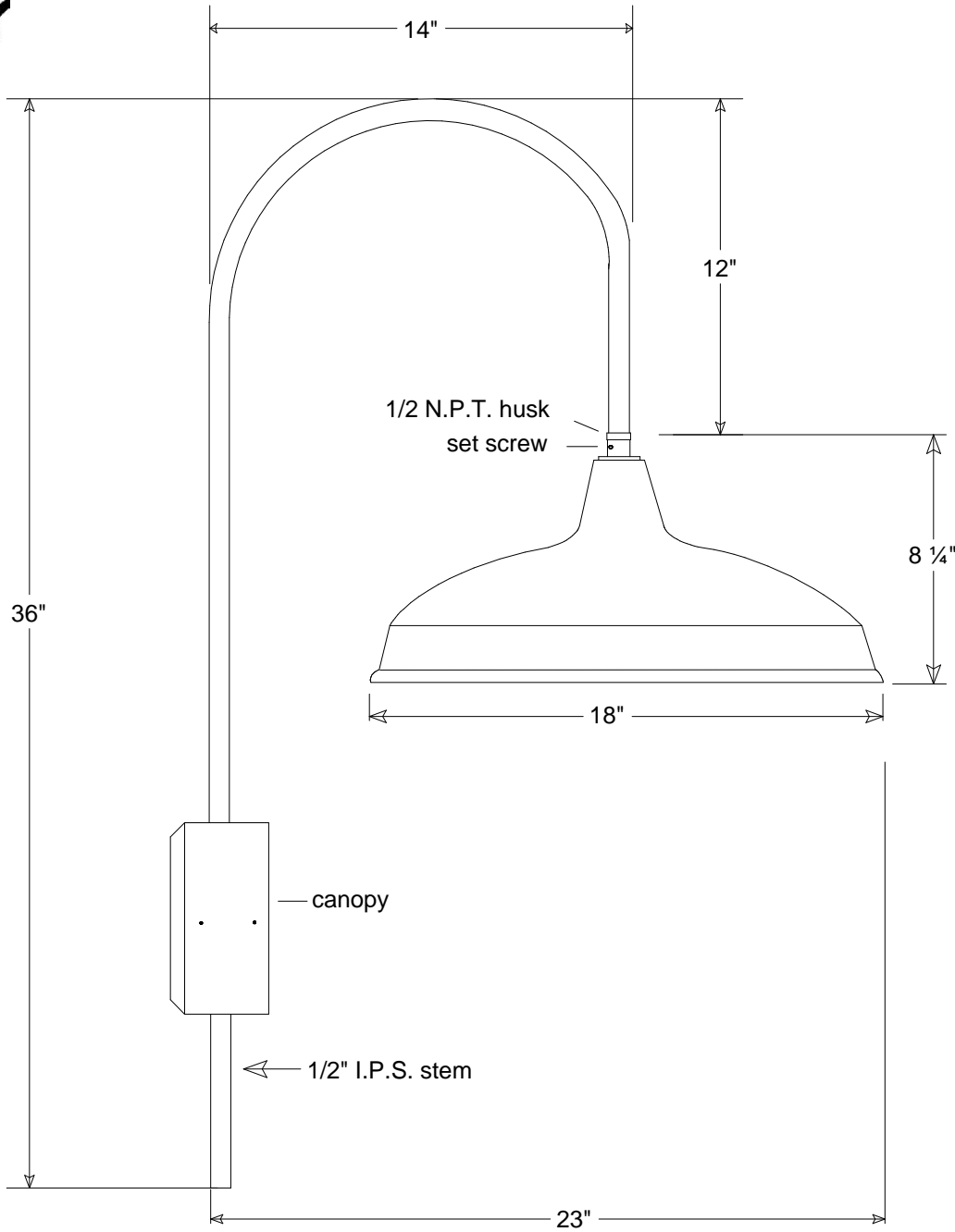




Primelite Manufacturing Corp

407 S Main St, Freeport, NY 11520
 Phone: 516-868-4411 | Fax: 516-868-4609
 sales@primelite-mfg.com | www.primelite-mfg.com

PART #	LAMP	VOLTAGE	COLOR
JOB NAME			TYPE



Unless Otherwise Specified:
 Dimensions in Inches
 Tolerances: Fractional ±
 Angular: Mach ± Bend ±
 Two Place Decimal ±
 Three Place Decimal ±

Construction: Aluminum

**Lamp: Incandescent | LED
 1/200A | LED12 | LED22**

	Name	Date	Gooseneck #23/20-862		
Drawn	lv	11/28/17	18" Shade 14" Arm		
Checked					
ENG Appr.			Size	Drawing No.	Rev
MFR Appr.			A	0001	A
QA			Scale	CAD File	Sheet
Available Shades: 7", 10", 12", 14", 16", 18", 20", 22", 24"					1 of 1

Revisions				
Zone	Rev	Description	Date	Approved