

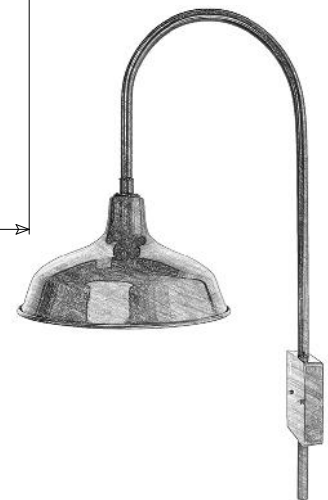
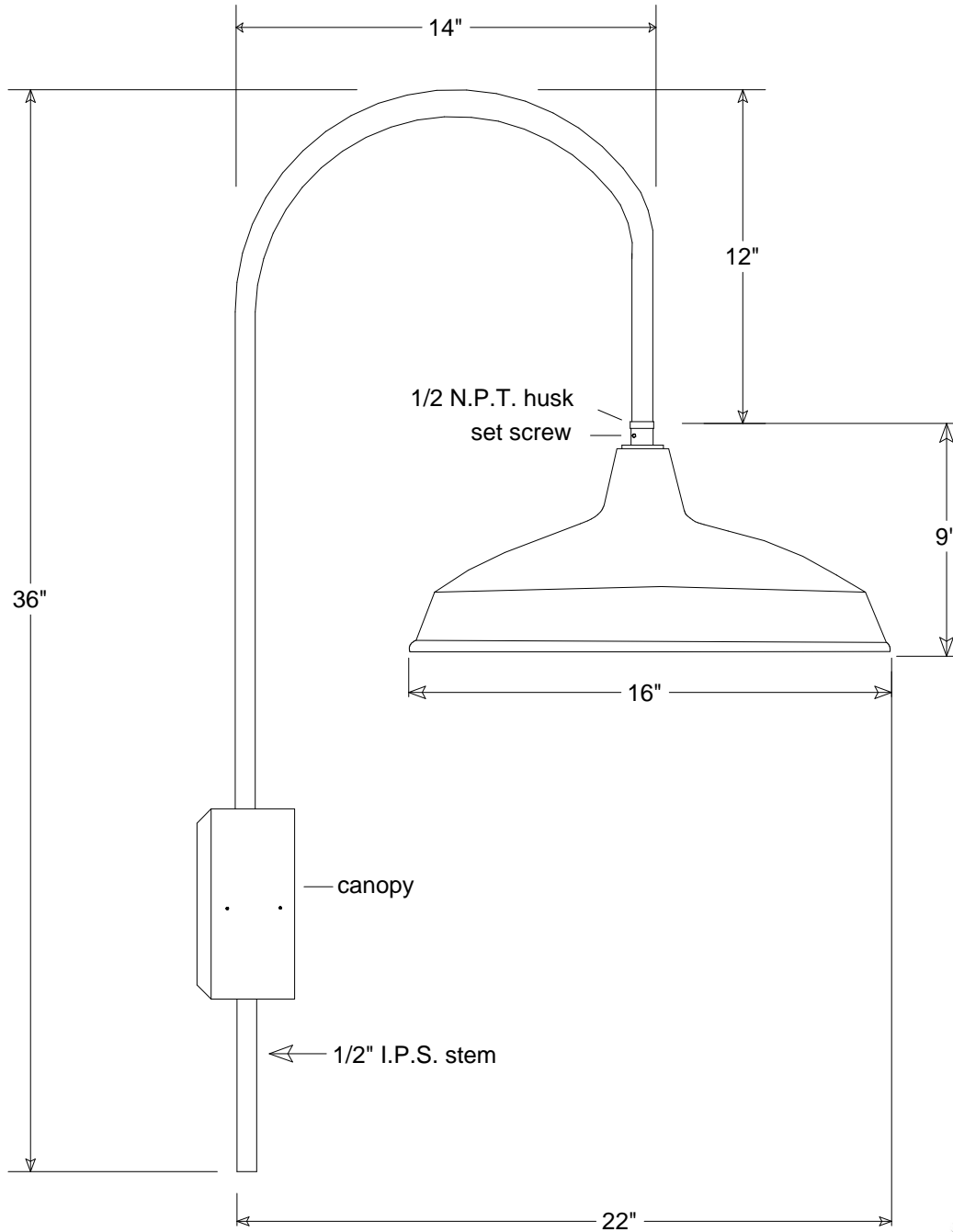


# Primelite Manufacturing Corp

407 S Main St, Freeport, NY 11520

Phone: 516-868-4411 | Fax: 516-868-4609  
 sales@primelite-mfg.com | www.primelite-mfg.com

PART #	LAMP	VOLTAGE	COLOR
JOB NAME			TYPE



**Unless Otherwise Specified:**  
 Dimensions in Inches  
 Tolerances: Fractional ±  
 Angular: Mach ± Bend ±  
 Two Place Decimal ±  
 Three Place Decimal ±

	Name	Date	<b>Gooseneck #23/16-862</b>		
Drawn	lv	11/27/17	16" Shade   14" Arm		
Checked					
ENG Appr.			Size	Drawing No.	Rev
MFR Appr.			<b>A</b>	<b>0001</b>	<b>A</b>
QA			Scale	CAD File	Sheet
Lamp: Incandescent   LED 1/200A   LED12   LED22			Available Shades: 7", 10", 12", 14", 16", 18", 20", 22", 24"		
			<b>1 of 1</b>		

Revisions				
Zone	Rev	Description	Date	Approved