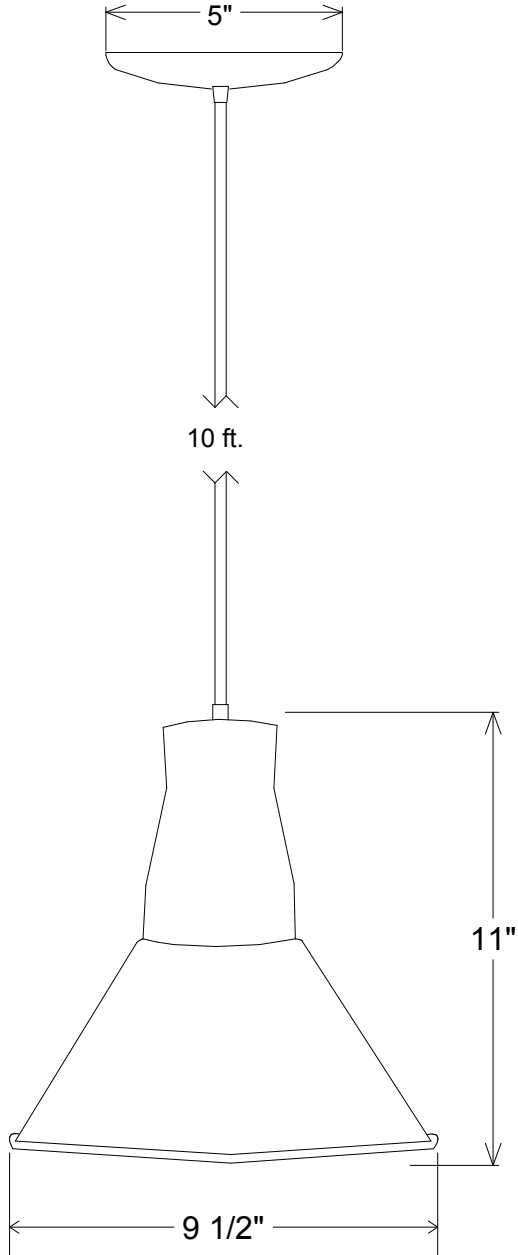


Revisions				
Zone	Rev	Description	Date	Approved



<b>Unless Otherwise Specified:</b> Dimensions in Inches Tolerances: Fractional ± Angular: Mach ± Bend ± Two Place Decimal ± Three Place Decimal ±	Name	Date	<b>Primelite Mfg. Corp.</b>		
	Drawn	T.A.R.			06/15/10
	Checked			<b>21</b>	
	ENG Appr.				
	MFR Appr.				
Construction: All Aluminum	QA		Size	Drawing No.	Rev
Lamp: 1-100A	Comments	CAD Generated Drawing Do Not Manually Update	<b>A</b>	<b>0001</b>	<b>A</b>
			Scale	CAD File	Sheet
			<b>1:5</b>		<b>1 of 1</b>