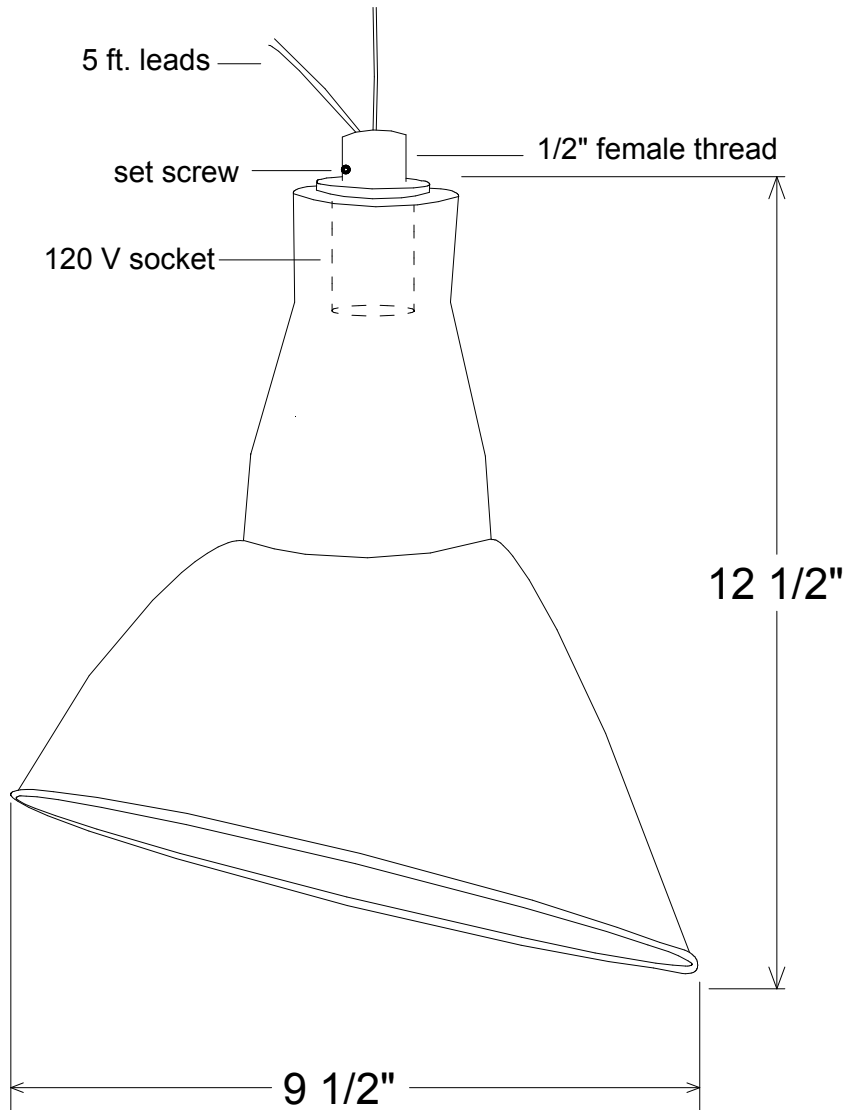


Revisions				
Zone	Rev	Description	Date	Approved



Unless Otherwise Specified: Dimensions in Inches Tolerances: Fractional ± Angular: Mach ± Bend ± Two Place Decimal ± Three Place Decimal ±	Drawn	Name	Date	Primelite Mfg. Corp.		
	Checked	T.A.R.	11/20/09			
	ENG Appr.			20A Angle Reflector		
	MFR Appr.					
	QA					
Construction: All Aluminum	Comments CAD Generated Drawing Do Not Manually Update			Size	Drawing No.	Rev
Pipe Size: 1/2"				A	0001	A
Lamp: 1-200A				Scale	CAD File	Sheet
				1:2		1 of 1