

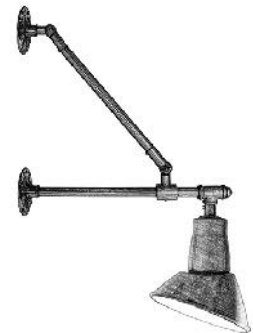
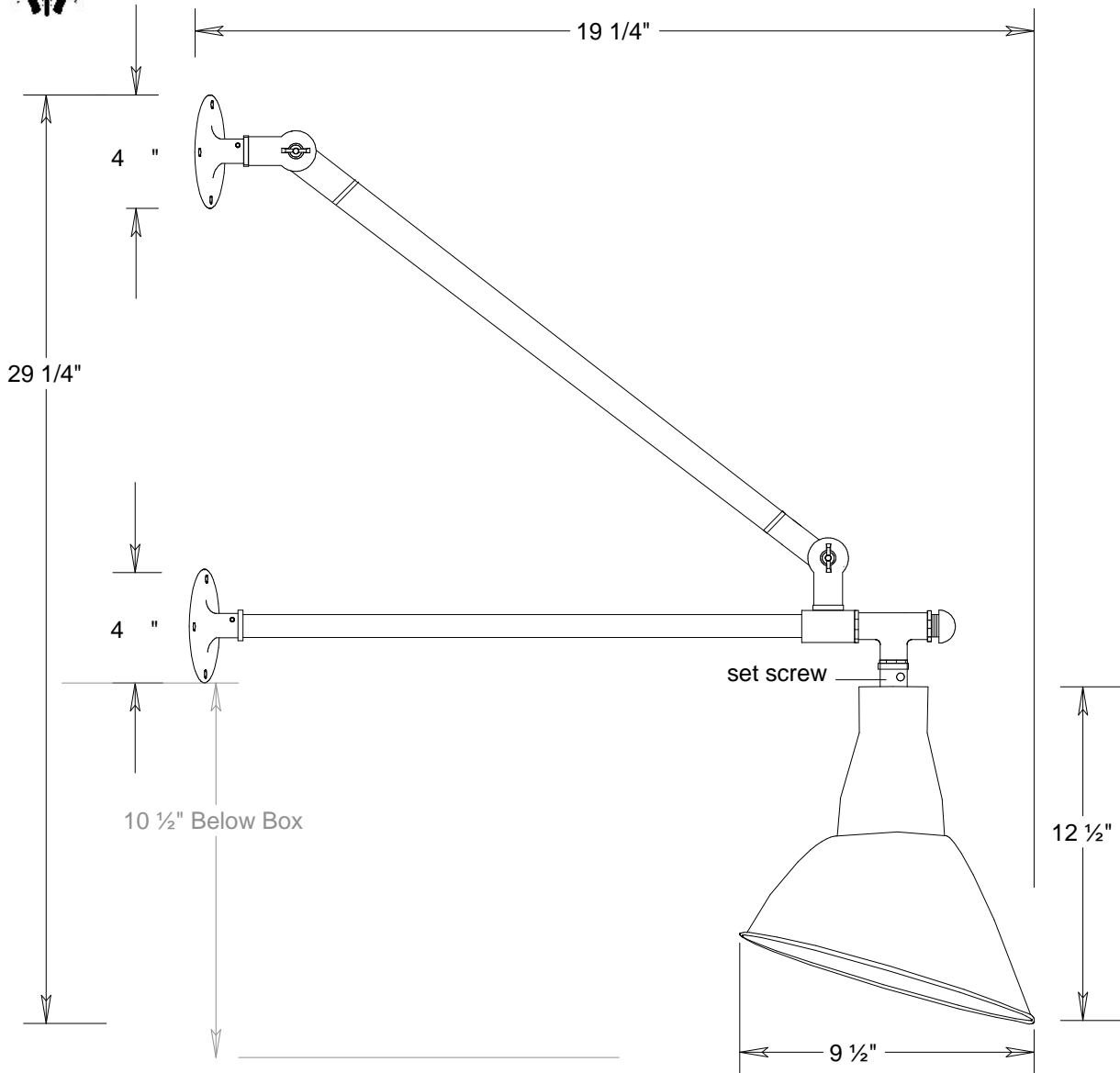


# Primelite Manufacturing Corp

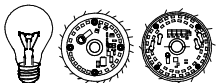
407 S Main St, Freeport, NY 11520

Phone: 516-868-4411 | Fax: 516-868-4609  
 sales@primelite-mfg.com | www.primelite-mfg.com

<b>PART #</b> #20/875	<b>LAMP</b> Incandescent   LED	<b>VOLTAGE</b> 120V	<b>COLOR</b> Powder Coated Paint
<b>JOB NAME</b>			<b>TYPE</b> Gooseneck



Lamp: Incandescent | LED



1/200A | LED12 | LED22

Construction: Aluminum

Unless Otherwise Specified:  
Dimensions in Inches

Name	Date	Gooseneck #20/875		
Drawn: iv	05/09/18	9 1/2" Dia Shade   17 1/2" Arm		
Checked:		Size	Drawing No.	Rev
ENG Appr.:		<b>A</b>	<b>0001</b>	<b>A</b>
MFR Appr.:		Scale	CAD File	Sheet
QA				<b>1 of 1</b>
Comments				

Revisions				
Zone	Rev	Description	Date	Approved