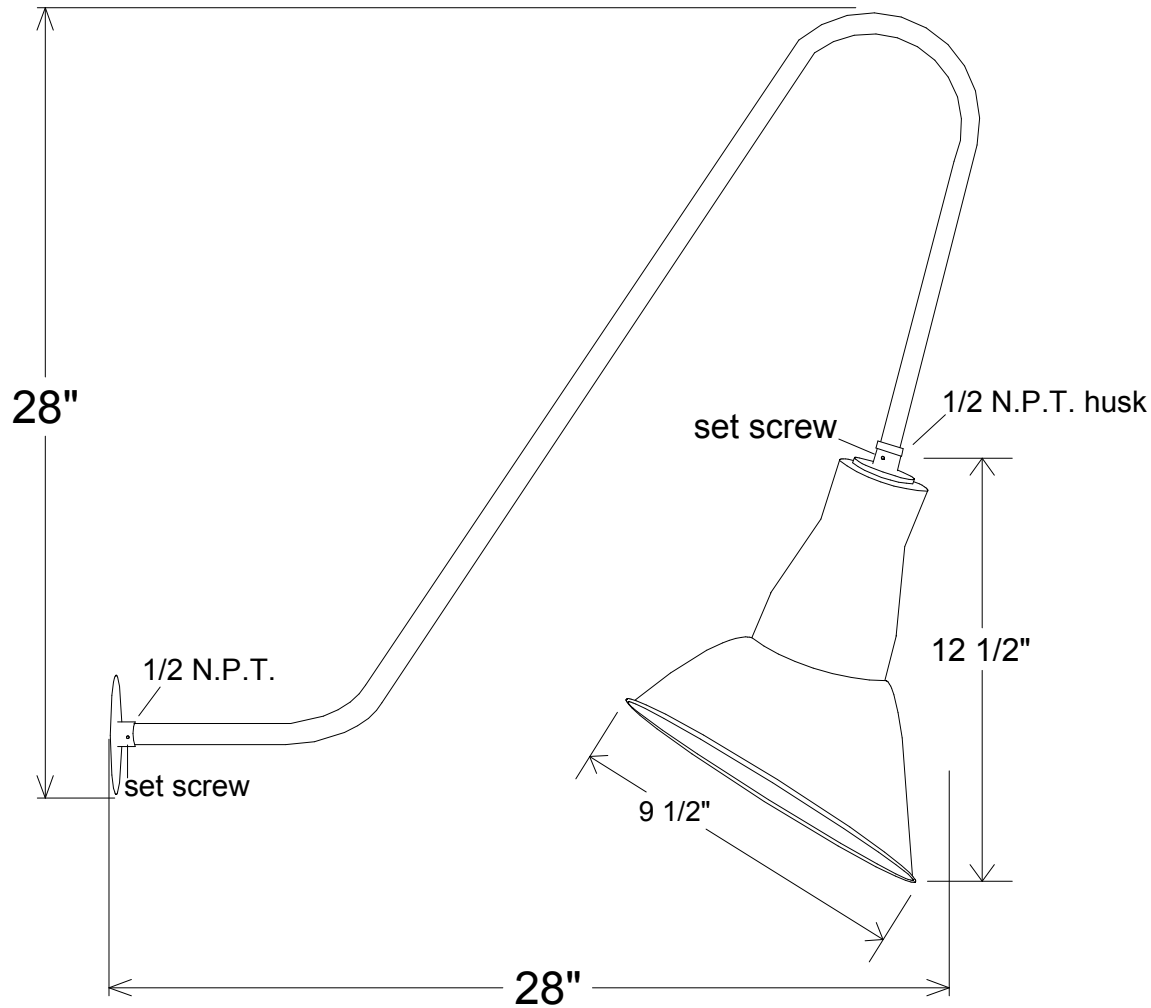


Revisions			Date	Approved
Zone	Rev	Description		



Unless Otherwise Specified:

Dimensions in Inches
 Tolerances: Fractional ±
 Angular: Mach ± Bend ±
 Two Place Decimal ±
 Three Place Decimal ±

Construction: All Aluminum

Pipe Size: 1/2"

Lamp: 1-200A

	Name	Date
Drawn	T.A.R.	12/15/09
Checked		
ENG Appr.		
MFR Appr.		
QA		

Comments
 CAD Generated Drawing
 Do Not Manually Update

Primelite Mfg. Corp.

20/869

Size	Drawing No.	Rev
A	0001	A
Scale	CAD File	Sheet
1:7		1 of 1