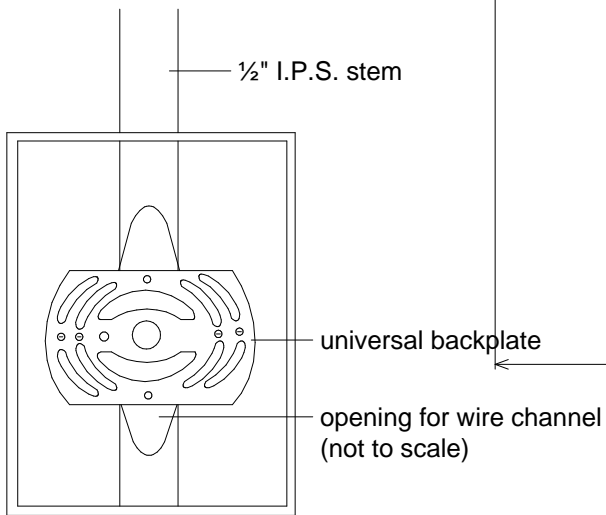
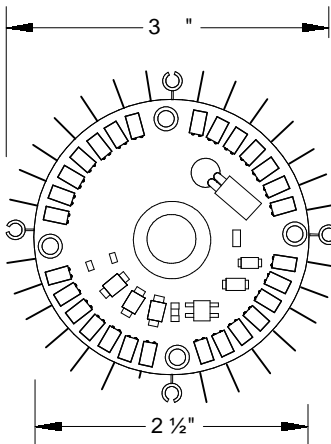


backplate



LED 12 watts



Unless Otherwise Specified:		Name	Date	Primelite Mfg. Corp.			
Dimensions in Inches		Drawn	lv	07/21/16	20/863 LED12		
Tolerances: Fractional ±		Checked					
Angular: Mach ± Bend ±		ENG Appr.					
Two Place Decimal ±		MFR Appr.					
Three Place Decimal ±		QA					
Construction: All Aluminum		Comments			Size	Drawing No.	Rev
Pipe Size: 1/2"		CAD Generated Drawing Do Not Manually Update			A	0001	A
Lamp: 1 - LED12					Scale	CAD File	Sheet
					1:4		1 of 1